



Transformer



1M000000

Catalog Number

Type QL

9Q3A015AAAR00A2T00

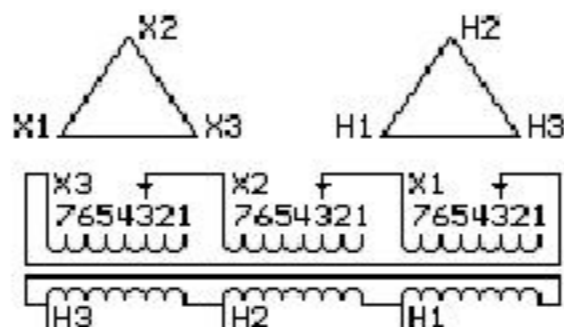
9T83B3581

15.0 KVA 60 HZ 3 PH 6.9 % IMP

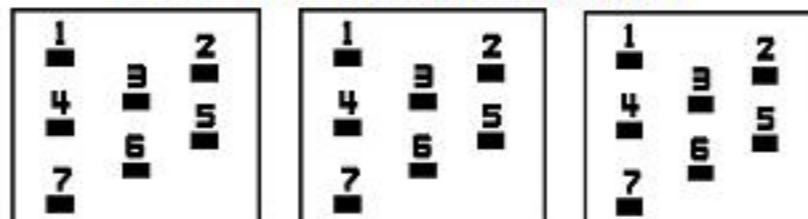
40 C AMB. 150 C RISE 220 C SYSTEM IS-19C

PRIMARY (X) 480 VOLTS (LINE-LINE)

SECONDARY (H) 600 VOLTS (LINE-LINE)



COIL TAP ARRANGEMENT



JUMPER CONNECTION	
TAP	VOLTS
1	503
2	491
3	480
4	468
5	457
6	445
7	434

NET WGT
240 LB
108.9 Kg

55992
XV371
NOG
090815

INSPECTION
&
FINAL TEST
N537!



LISTED 769G

Assembled in Mexico

ENCLOSURE TYPE 2 (IP30). RAINPROOF TYPE 3R ENCLOSURE (IP32) WHEN PROVIDED SHIELD 9T18Y4317G11

BEFORE HANDLING, INSTALLING AND OPERATING, SEE INSTRUCTION 475A667AAP001
ALUMINUM CONDUCTOR PRIMARY: 10 KV BIL SECONDARY: 10 KV BIL

Outline: 303B401AAP071

IN ACCORDANCE WITH NEC SECTION 450-9, ALLOW AT LEAST SIX INCHES
CLEARANCE FOR VENTILATION. CHECK ADDITIONAL NEC AND LOCAL CODES.

H3 - H2 - H1 - -
- X3 - X2 - X1

Note: Standard

H3 - H2 - H1 -
- X3 - X2 - X1



2M000000



3M000000