



Transformer



1M000000

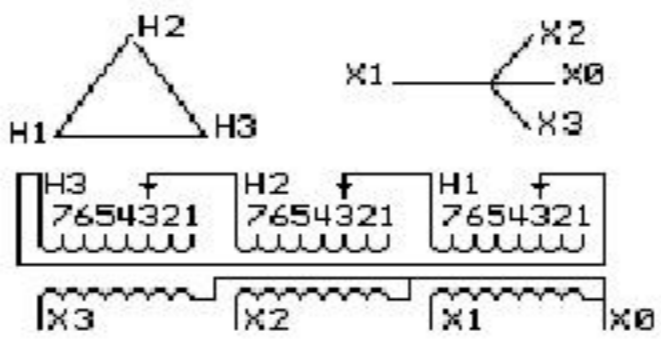
Catalog Number **9Q3A015AGAD00B2T00** Type **QL**

9T83B3631G15

15.0 KVA 60 HZ 3 PH 6.4 % IMP

40 C AMB. 115 C RISE 220 C SYSTEM IS-19C

Note: Design is based on 15.00KVA & 150C Rise 6.9% Imp.



JUMPER CONNECTION	
TAP	VOLTS
1	630
2	614
3	600
4	584
5	570
6	554
7	540

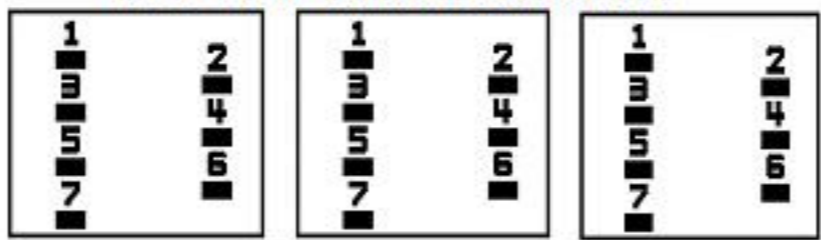
NET WGT
240 LB
108.9 Kg

54435
XV371
NOG
071615

INSPECTION
&
FINAL TEST
N529!

PRIMARY (H) 600 VOLTS (LINE-LINE)
 SECONDARY (X) 480 VOLTS (LINE-LINE)
 277 VOLTS (LINE-NEUTRAL)

COIL TAP ARRANGEMENT



ENCLOSURE TYPE 2 (IP30). RAINPROOF TYPE 3R ENCLOSURE (IP32) WHEN PROVIDED SHIELD 9T18Y4317G11

Assembled in Mexico

BEFORE HANDLING, INSTALLING AND OPERATING, SEE INSTRUCTION 475A667AAP001 Outline: 303B401AAP071
 ALUMINUM CONDUCTOR PRIMARY: 10 KV BIL SECONDARY: 10 KV BIL

X3 - X2 - X1 - X0
 - H3 - H2 - H1

IN ACCORDANCE WITH NEC SECTION 450-9, ALLOW AT LEAST SIX INCHES CLEARANCE FOR VENTILATION. CHECK ADDITIONAL NEC AND LOCAL CODES.

Note: Standard

X0

X1 -

X2 -

X3 -

H3 - H2 - H1

X0

X1 -

X2 -

X3 -

H3 - H2 - H1

