



# Transformer



\*1M000000\*

Catalog Number

Type QL

9Q3A112AFAF00A2T00

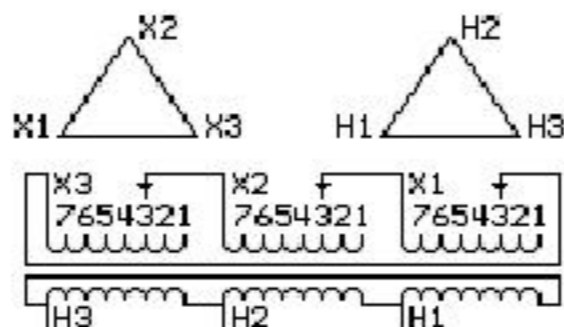
9T83B3645

112.5 KVA 60 HZ 3 PH 7 % IMP

40 C AMB. 150 C RISE 220 C SYSTEM IS-19C

PRIMARY (X) 208 VOLTS (LINE-LINE)

SECONDARY (H) 230 VOLTS (LINE-LINE)



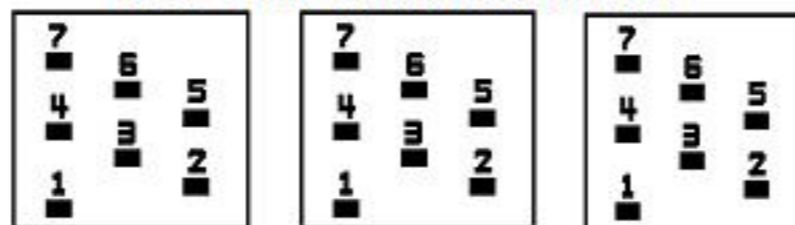
JUMPER CONNECTION	
TAP	VOLTS
1	216
2	212
3	208
4	202
5	198
6	193
7	189

NET WGT  
765 LB  
347.0 Kg

55070  
XV375  
NOG  
072115

INSPECTION  
&  
FINAL TEST  
N530!

### COIL TAP ARRANGEMENT



LISTED 769G

ENCLOSURE TYPE 2 (IP30). RAINPROOF TYPE 3R ENCLOSURE (IP32) WHEN PROVIDED SHIELD 9T18Y4317G06

Assembled in Mexico

BEFORE HANDLING, INSTALLING AND OPERATING, SEE INSTRUCTION 475A667AAP001  
ALUMINUM CONDUCTOR PRIMARY: 10 KV BIL SECONDARY: 10 KV BIL

Outline: 303B401AAP075

IN ACCORDANCE WITH NEC SECTION 450-9, ALLOW AT LEAST SIX INCHES  
CLEARANCE FOR VENTILATION. CHECK ADDITIONAL NEC AND LOCAL CODES.

H3 - H2 - H1 - -  
- X3 - X2 - X1

Note: Standard

H3 - H2 - H1 -  
- X3 - X2 - X1



\*2M000000\*



\*3M000000\*