



# Transformer



\*1M000000\*

Catalog Number

Type QL

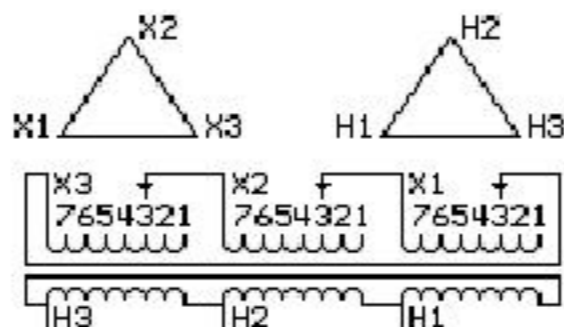
9Q3A011AEAP00A2N00

9T83B3650

11.0 KVA 60 HZ 3 PH 4.2 % IMP

40 C AMB. 150 C RISE 220 C SYSTEM IS-19C

Note: Design is based on 15.00KVA & 150C Rise 5.8% Imp.



JUMPER CONNECTION	
TAP	VOLTS
1	253
2	246
3	240
4	234
5	227
6	223
7	216

NET WGT

240 LB  
108.9 Kg

54439  
XV371

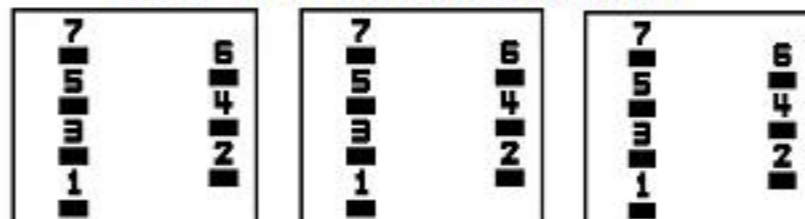
NOG  
071615

INSPECTION  
&  
FINAL TEST  
N529!

PRIMARY (X) 240 VOLTS (LINE-LINE)

SECONDARY (H) 480 VOLTS (LINE-LINE)

### COIL TAP ARRANGEMENT



LISTED 769G

ENCLOSURE TYPE 2 (IP30). RAINPROOF TYPE 3R ENCLOSURE (IP32) WHEN PROVIDED SHIELD 9T18Y4317G11

Assembled in Mexico

BEFORE HANDLING, INSTALLING AND OPERATING, SEE INSTRUCTION 475A667AAP001  
ALUMINUM CONDUCTOR PRIMARY: 10 KV BIL SECONDARY: 10 KV BIL

Outline: 303B401AAP071

IN ACCORDANCE WITH NEC SECTION 450-9, ALLOW AT LEAST SIX INCHES  
CLEARANCE FOR VENTILATION. CHECK ADDITIONAL NEC AND LOCAL CODES.

H3 - H2 - H1 - -  
- X3 - X2 - X1

Note: Standard

H3 - H2 - H1 -  
- X3 - X2 - X1



\*2M000000\*



\*3M000000\*