



Transformer



1M000000

Catalog Number

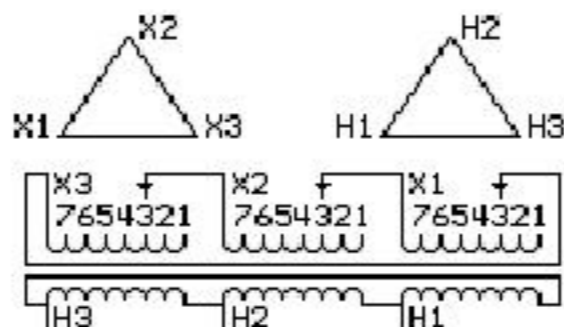
Type QL

9Q3A112AEAP00A2T00

9T83B3655

112.5 KVA 60 HZ 3 PH 6.4 % IMP

40 C AMB. 150 C RISE 220 C SYSTEM IS-19C



JUMPER CONNECTION	
TAP	VOLTS
1	250
2	245
3	240
4	235
5	230
6	220
7	215

NET WGT
765 LB
347.0 Kg

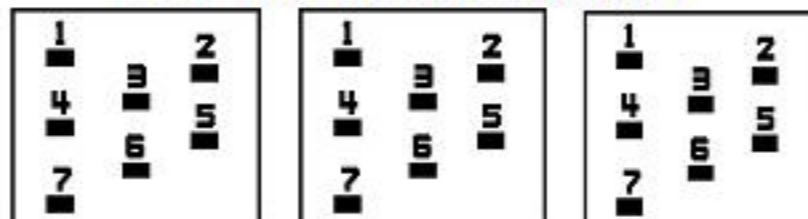
55071
XV375

NOG
072115

INSPECTION
&
FINAL TEST
N530!

PRIMARY (X) 240 VOLTS (LINE-LINE)
SECONDARY (H) 480 VOLTS (LINE-LINE)

COIL TAP ARRANGEMENT



LISTED 769G

ENCLOSURE TYPE 2 (IP30). RAINPROOF TYPE 3R ENCLOSURE (IP32) WHEN PROVIDED SHIELD 9T18Y4317G06

Assembled in Mexico

BEFORE HANDLING, INSTALLING AND OPERATING, SEE INSTRUCTION 475A667AAP001
ALUMINUM CONDUCTOR PRIMARY: 10 KV BIL SECONDARY: 10 KV BIL

Outline: 303B401AAP075

IN ACCORDANCE WITH NEC SECTION 450-9, ALLOW AT LEAST SIX INCHES
CLEARANCE FOR VENTILATION. CHECK ADDITIONAL NEC AND LOCAL CODES.

H3 - H2 - H1 - -
- X3 - X2 - X1

Note: Standard

H3 - H2 - H1 -
- X3 - X2 - X1
H3 - H2 - H1 -
- X3 - X2 - X1



2M000000



3M000000