



Transformer



1M000000

Catalog Number

Type QL

9Q3A150AEAP00A2T00

9T83B3656

150.0 KVA 60 HZ 3 PH 6.7 % IMP

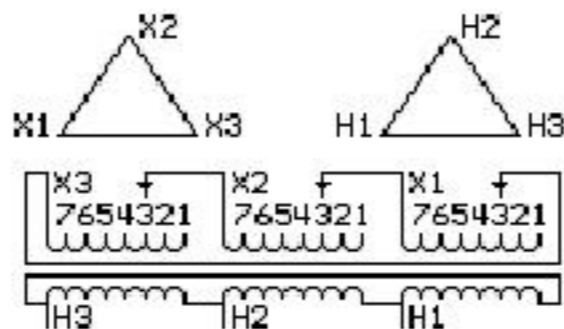
40 C AMB. 150 C RISE 220 C SYSTEM IS-19C

9T83B3556 9T83B3556

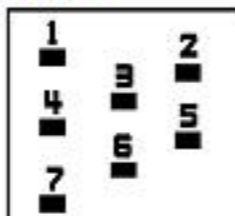
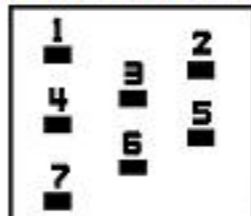
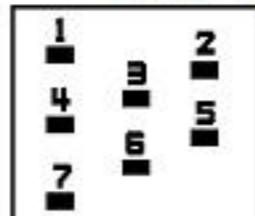
150921HB7 303B401AAP076 YNNN 40150

220IS-19COL 3 60AL100149N150.0 5.1 10

70 480(+2,-4 2.4



COIL TAP ARRANGEMENT



NSALE0 150.000480C
+2,-4 2.40%)

415Y/239

0911

NN

N9T18Y4317G07T

RANSFORMER E

ENERGY#-NOG H0

0

NET WGT

1070 LB

485.4 Kg

57747

XV376

NOG

092115

INSPECTION

&

FINAL TEST

N539!

520



LISTED 769G

Assembled in Mexico

ENCLOSURE TYPE 2 (IP30). RAINPROOF TYPE 3R ENCLOSURE (IP32) WHEN PROVIDED SHIELD 9T18Y4317G07

BEFORE HANDLING, INSTALLING AND OPERATING, SEE INSTRUCTION 475A667AAP001

Outline: 303B401AAP076

ALUMINUM CONDUCTOR

PRIMARY: 10 KV BIL

SECONDARY: 10 KV BIL

IN ACCORDANCE WITH NEC SECTION 450-9, ALLOW AT LEAST SIX INCHES

CLEARANCE FOR VENTILATION. CHECK ADDITIONAL NEC AND LOCAL CODES.

H3 - H2 - H1 - -

- X3 - X2 - X1

Note: Standard

H3 - H2 - H1 -

X3 - X2 - X1

H3 - H2 - H1 -

X3 - X2 - X1



2M000000



3M000000