



Transformer



1M000000

X0

X0

Catalog Number
9T83B3811G15

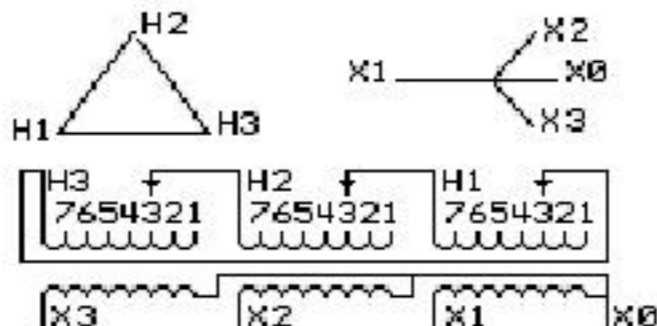
Type **QL**

15.0 KVA 60 HZ 3 PH 5.7 % IMP

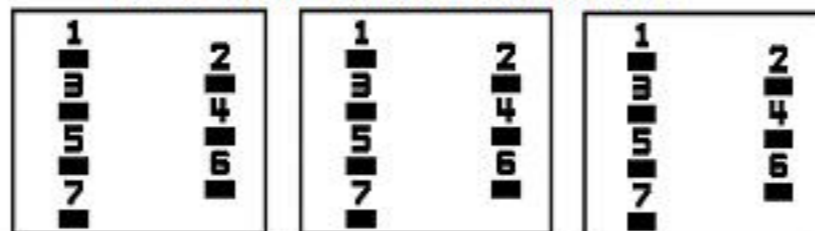
40 C AMB. 115 C RISE 220 C SYSTEM IS-19C

Note: Design is based on 15.00KVA & 150C Rise 5.8% Imp.

PRIMARY (H) 240 VOLTS (LINE-LINE)
SECONDARY (X) 208 VOLTS (LINE-LINE)
120 VOLTS (LINE-NEUTRAL)



COIL TAP ARRANGEMENT



| JUMPER CONNECTION | |
|-------------------|-------|
| TAP | VOLTS |
| 1 | 251 |
| 2 | 246 |
| 3 | 240 |
| 4 | 234 |
| 5 | 228 |
| 6 | 221 |
| 7 | 216 |

NET WGT
240 LB
108.9 Kg

54454
XV371

NOG
071615

INSPECTION
&
FINAL TEST
N529!



LISTED 769G

Assembled in Mexico

ENCLOSURE TYPE 2 (IP30). RAINPROOF TYPE 3R ENCLOSURE (IP32) WHEN PROVIDED SHIELD 9T18Y4317G11

BEFORE HANDLING, INSTALLING AND OPERATING, SEE INSTRUCTION 475A667AAP001
ALUMINUM CONDUCTOR PRIMARY: 10 KV BIL SECONDARY: 10 KV BIL

Outline: 303B401AAP071

IN ACCORDANCE WITH NEC SECTION 450-9, ALLOW AT LEAST SIX INCHES
CLEARANCE FOR VENTILATION. CHECK ADDITIONAL NEC AND LOCAL CODES.

X3 - X2 - X1 - X0
- H3 - H2 - H1

Note: Standard

X1 - X2 - X3

- H1 - H2 - H3

X1 - X2 - X3

- H1 - H2 - H3



2M000000



3M000000