



# Transformer



\*1M000000\*

Catalog Number

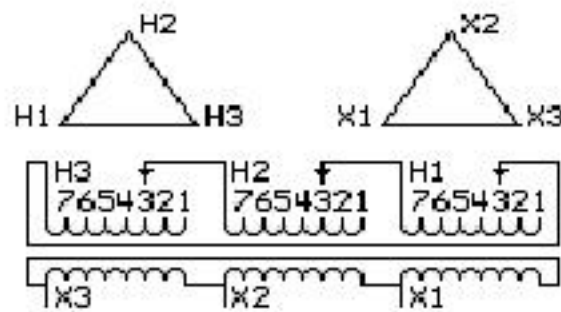
Type QL

9T83B3831

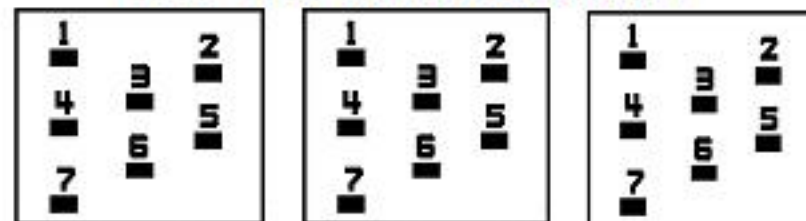
15.0 KVA 60 HZ 3 PH 7 % IMP

40 C AMB. 150 C RISE 220 C SYSTEM IS-19C

PRIMARY (H) 600 VOLTS (LINE-LINE)  
SECONDARY (X) 240 VOLTS (LINE-LINE)



### COIL TAP ARRANGEMENT



JUMPER CONNECTION	
TAP	VOLTS
1	628
2	614
3	600
4	586
5	572
6	557
7	543

NET WGT  
240 LB  
108.9 Kg

54457  
XV371  
NOG  
071615

INSPECTION  
&  
FINAL TEST  
N529!



LISTED 769G

Assembled in Mexico

ENCLOSURE TYPE 2 (IP30). RAINPROOF TYPE 3R ENCLOSURE (IP32) WHEN PROVIDED SHIELD 9T18Y4317G11

BEFORE HANDLING, INSTALLING AND OPERATING, SEE INSTRUCTION 475A667AAP001  
ALUMINUM CONDUCTOR PRIMARY: 10 KV BIL SECONDARY: 10 KV BIL

Outline: 303B401AAP071

IN ACCORDANCE WITH NEC SECTION 450-9, ALLOW AT LEAST SIX INCHES  
CLEARANCE FOR VENTILATION. CHECK ADDITIONAL NEC AND LOCAL CODES.

X3 - X2 - X1 - -  
- H3 - H2 - H1

Note: Standard

X1 - -  
X2 - - H2 - H1  
X3 - - H3 - H2 - H1



\*2M000000\*



\*3M000000\*