



Transformer



1M000000

Catalog Number **9Q3A075AAAC00A2T30** Type **QL**

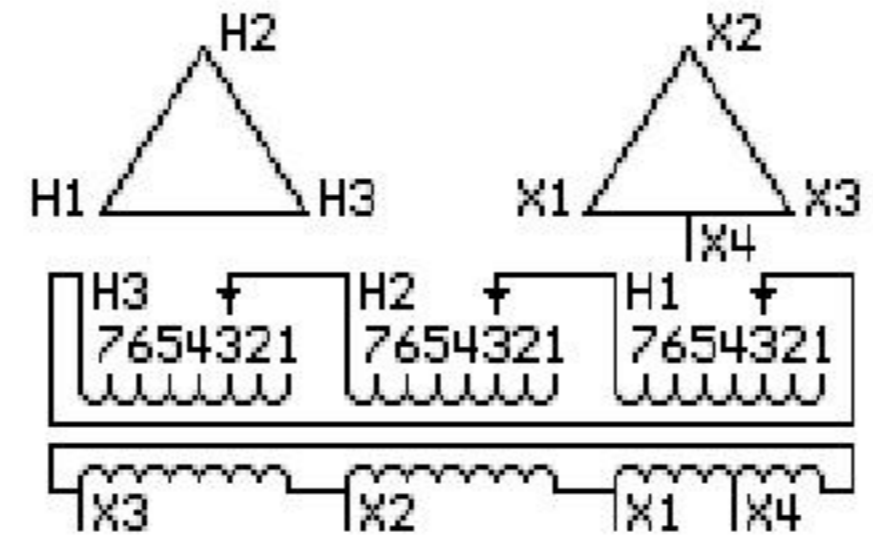
9T83B3844G50

75.0 KVA 60 HZ 3 PH 6.2 % IMP

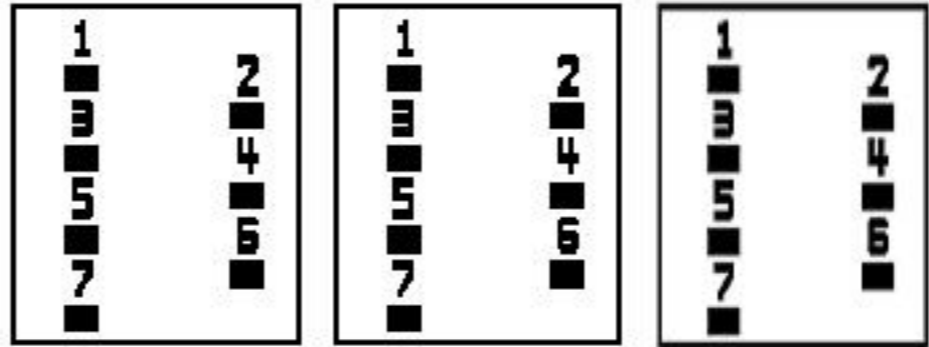
40 C AMB. 150 C RISE 220 C SYSTEM IS-19C

Note: Design is based on 75.00KVA & 150C Rise 6.2% Imp.

PRIMARY (H) 480 VOLTS (LINE-LINE)
SECONDARY (X) 240 VOLTS (LINE-LINE)
120 VOLTS (1 PH MIDTHAP)



COIL TAP ARRANGEMENT



JUMPER CONNECTION	
TAP	VOLTS
1	505
2	491
3	480
4	469
5	455
6	444
7	433

NET WGT
620 LB
281.2 Kg

55654
XU374

NOG
092415

INSPECTION
&
FINAL TEST
N539!



LISTED 769G

Assembled in Mexico

ENCLOSURE TYPE 2 (IP30). RAINPROOF TYPE 3R ENCLOSURE (IP32) WHEN PROVIDED SHIELD 9T18Y4317G06

REDUCED CAPACITY TAP RATED AT 5% OF 3 PH KVA

BEFORE HANDLING, INSTALLING AND OPERATING, SEE INSTRUCTION 475A667AAP001

Outline: 303B401AAP074

ALUMINUM CONDUCTOR

PRIMARY: 10 KV BIL

SECONDARY: 10 KV BIL

IN ACCORDANCE WITH NEC SECTION 450-9, ALLOW AT LEAST SIX INCHES CLEARANCE FOR VENTILATION. CHECK ADDITIONAL NEC AND LOCAL CODES.

X3 - X2 - X1 - X4

- H3 - H2 - H1

Note: Mid-Top

X4

- X1 -

- X2 -

X3 -

- H1

- H2

- H3

X4

- X1 -

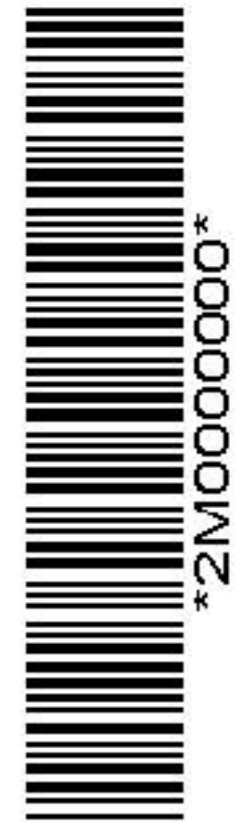
- X2 -

X3 -

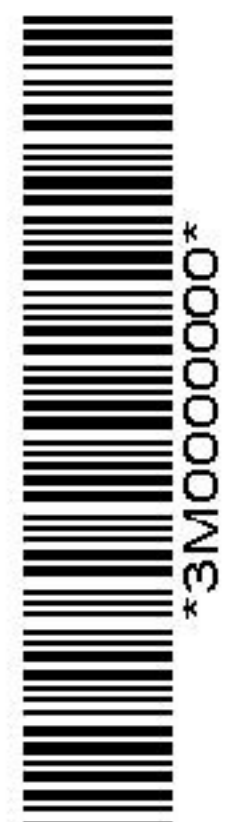
- H1

- H2

- H3



2M000000



3M000000