



# Transformer



\*1M0000000\*

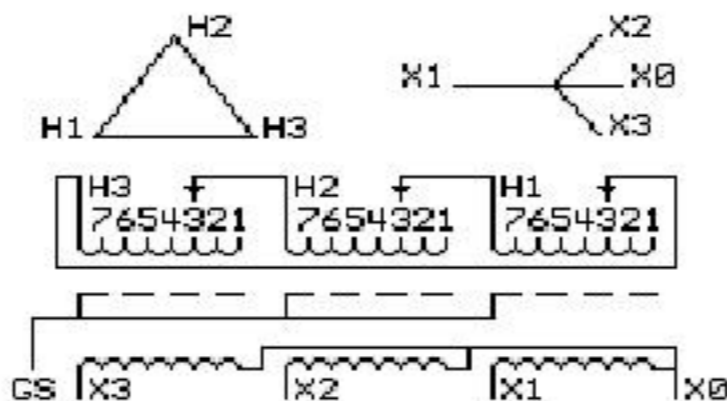
Catalog Number  
**9T83B3853G83**

Type QL

**45.0 KVA 60 HZ 3 PH 3.9 % IMP**

40 C AMB. 80 C RISE 220 C SYSTEM IS-19C

Note: Design is based on 75.00KVA & 150C Rise 6.5% Imp.



JUMPER CONNECTION	
TAP	VOLTS
1	504
2	493
3	480
4	468
5	457
6	443
7	432

NET WGT  
620 LB  
281.2 Kg

55661

XU374

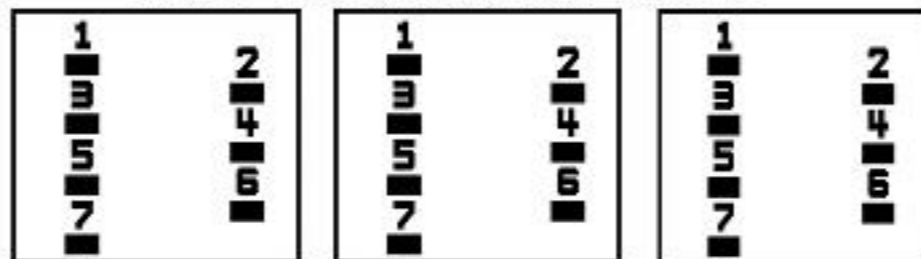
NOG

121815

INSPECTION  
&  
FINAL TEST  
N551!

PRIMARY (H) 480 VOLTS (LINE-LINE)  
 SECONDARY (X) 480 VOLTS (LINE-LINE)  
 277 VOLTS (LINE-NEUTRAL)

### COIL TAP ARRANGEMENT



ELECTROSTATIC GROUND SHIELD IN EACH PHASE

ENCLOSURE TYPE 2 (IP30). RAINPROOF TYPE 3R ENCLOSURE (IP32) WHEN PROVIDED SHIELD 9T18Y4317G06

Assembled in Mexico

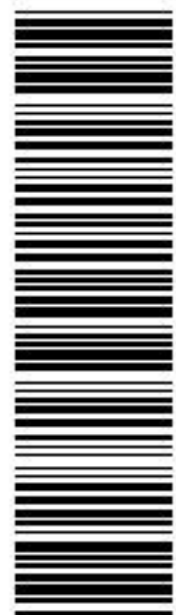
BEFORE HANDLING, INSTALLING AND OPERATING, SEE INSTRUCTION 475A667AAP001  
ALUMINUM CONDUCTOR PRIMARY: 10 KV BIL SECONDARY: 10 KV BIL

Outline: 303B401AAP074

IN ACCORDANCE WITH NEC SECTION 450-9, ALLOW AT LEAST SIX INCHES  
CLEARANCE FOR VENTILATION. CHECK ADDITIONAL NEC AND LOCAL CODES.

X3 - X2 - X1 - -  
 - H3 - H2 - H1

Note: X0 Terminal at the bottom



\*2M0000000\*



\*3M0000000\*

X3 - X2 - X1 - -  
 - H3 - H2 - H1  
 X3 - X2 - X1 - -  
 - H3 - H2 - H1

X0