



Transformer



1M000000

Catalog Number **9Q3A075AAAD01A2T30** Type **QL**

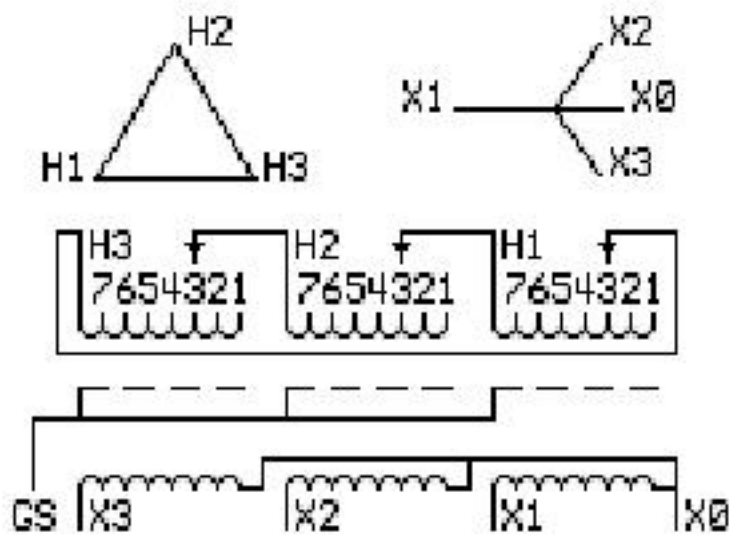
9Q3A075AAAD01A2T30

9T83B3854G53

75.0 KVA 60 HZ 3 PH 7% IMP

40 C AMB. 150 C RISE 220 C SYSTEM IS-19C

Note: Design is based on 75.00KVA & 115C Rise 6.9% Imp.



JUMPER CONNECTION	
TAP	VOLTS
1	505
2	490
3	480
4	469
5	455
6	444
7	433

NET WGT
620 LB
281.2 Kg

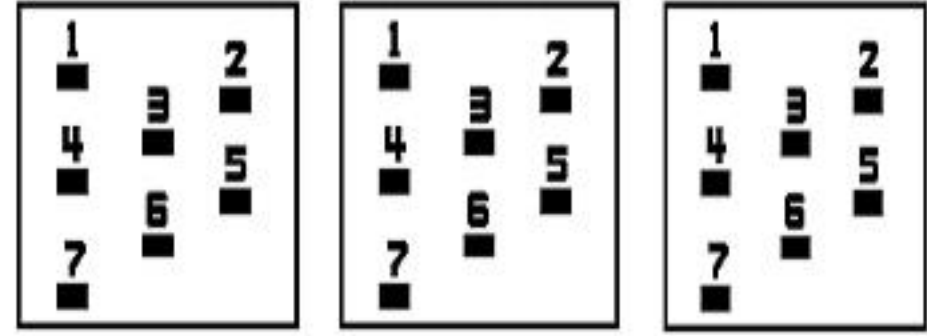
55577
XU374

NOG
092415

INSPECTION
&
FINAL TEST
N539!

PRIMARY (H) 480 VOLTS (LINE-LINE)
 SECONDARY (X) 480 VOLTS (LINE-LINE)
 277 VOLTS (LINE-NEUTRAL)

COIL TAP ARRANGEMENT



ELECTROSTATIC GROUND SHIELD IN EACH PHASE

ENCLOSURE TYPE 2 (IP30). RAINPROOF TYPE 3R ENCLOSURE (IP32) WHEN PROVIDED SHIELD 9T18Y4317G06

Assembled in Mexico

BEFORE HANDLING, INSTALLING AND OPERATING, SEE INSTRUCTION 475A667AAP001 Outline: 303B401AAP074
 ALUMINUM CONDUCTOR PRIMARY: 10 KV BIL SECONDARY: 10 KV BIL

X3 - X2 - X1 - -
 - H3 - H2 - H1

IN ACCORDANCE WITH NEC SECTION 450-9, ALLOW AT LEAST SIX INCHES CLEARANCE FOR VENTILATION. CHECK ADDITIONAL NEC AND LOCAL CODES.

Note: X0 Terminal at the bottom

X1 - - H1
 X2 - - H2
 X3 - - H3
 X1 - - H1
 X2 - - H2
 X3 - - H3

X0

