



Transformer



1M000000

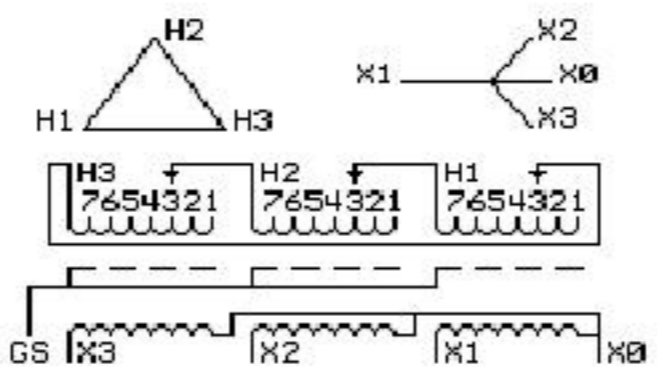
Catalog Number **Type QL**

9Q3A011AAAA01A2N00
9T83B3870G03

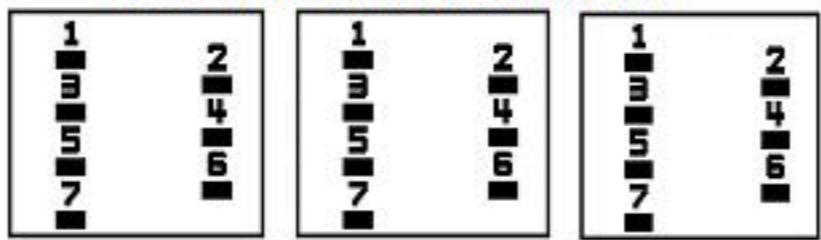
11.0 KVA 60 HZ 3 PH 4.3 % IMP

40 C AMB. 150 C RISE 220 C SYSTEM IS-19C

Note: Design is based on 15.00KVA & 150C Rise 5.8% Imp.



COIL TAP ARRANGEMENT



NSALEØ 15.000480C
+2,-4 2.50%)
208Y/120

Ø911
N N9T18Y4317G11T
TRANSFORMER N
ON-SIN K=30HØ
Ø ASCS

NET WGT
240 LB
108.9 Kg

57765
XV371
NOG
092215

INSPECTION
&
FINAL TEST
N539!

520



LISTED 769G

Assembled in Mexico

ENCLOSURE TYPE 2 (IP30). RAINPROOF TYPE 3R ENCLOSURE (IP32) WHEN PROVIDED SHIELD 9T18Y4317G11

BEFORE HANDLING, INSTALLING AND OPERATING, SEE INSTRUCTION 475A667AAP001 Outline: 303B401AAP071
ALUMINUM CONDUCTOR PRIMARY: 10 KV BIL SECONDARY: 10 KV BIL

IN ACCORDANCE WITH NEC SECTION 450-9, ALLOW AT LEAST SIX INCHES
CLEARANCE FOR VENTILATION. CHECK ADDITIONAL NEC AND LOCAL CODES.

X3 - X2 - X1 - X0
- H3 - H2 - H1

Note: Standard

X0
- X1 -
- X2 -
- H3 -



2M000000

X0
- X1 -
- X2 -
- H3 -



3M000000