



# Transformer



\*1M000000\*

X0

X0

Catalog Number

Type QL

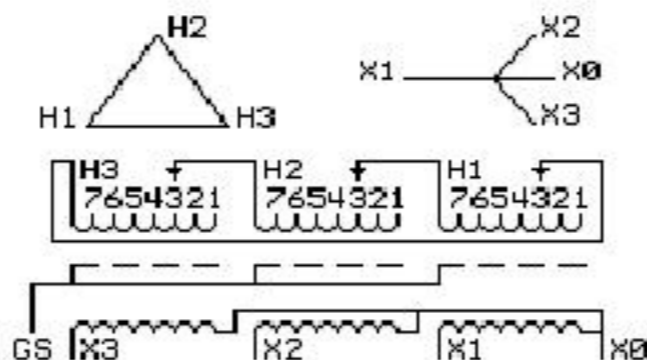
9Q3A011AAAA01T2N00

9T83B3870G04

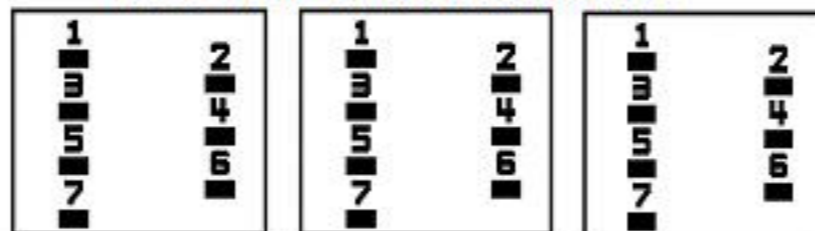
11.0 KVA 60 HZ 3 PH 4.2 % IMP

50 C AMB. 140 C RISE 220 C SYSTEM IS-19C

Note: Design is based on 15.00KVA & 150C Rise 5.8% Imp.



### COIL TAP ARRANGEMENT



NSALE0 11.000480C

+2,-4 2.50%)

208Y/120

0911

NN

N9T18Y4317G11T

RANSFORMER E

ENERGY#-NOG H0

0

NET WGT

240 LB

108.9 Kg

57765

XV371

NOG

092215

INSPECTION

&

FINAL TEST

N539!

520



LISTED 769G

Assembled in Mexico

9T83B3870G039T83B3870G03

150922KKE 303B401AAP071 YNNN 40150

220IS-19COL 3 60AL100150Y11.00 4.3 24

0 480C +2,-4 2.5

ELECTROSTATIC GROUND SHIELD IN EACH PHASE

ENCLOSURE TYPE 2 (IP30). RAINPROOF TYPE 3R ENCLOSURE (IP32) WHEN PROVIDED SHIELD 9T18Y4317G11

BEFORE HANDLING, INSTALLING AND OPERATING, SEE INSTRUCTION 475A667AAP001

Outline: 303B401AAP071

ALUMINUM CONDUCTOR

PRIMARY: 10 KV BIL

SECONDARY: 10 KV BIL

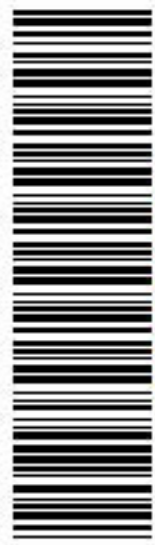
IN ACCORDANCE WITH NEC SECTION 450-9, ALLOW AT LEAST SIX INCHES

CLEARANCE FOR VENTILATION. CHECK ADDITIONAL NEC AND LOCAL CODES.

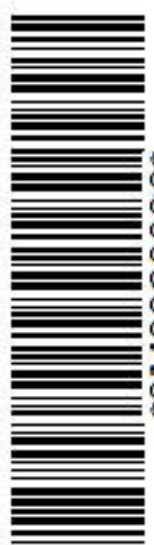
X3 - X2 - X1 - X0

- H3 - H2 - H1

Note: Standard



\*2M000000\*



\*3M000000\*