



# Transformer



\*1M0000000\*

Catalog Number Type QL

9Q3A011AAA01A2T00

9T83B3870G06

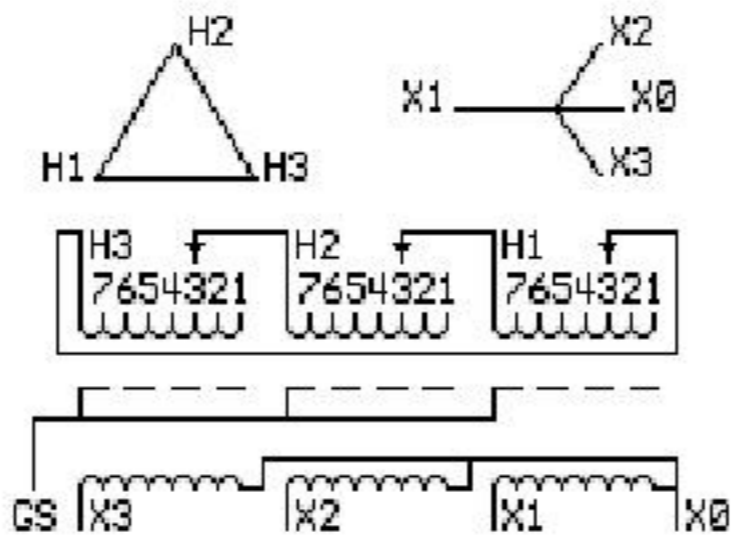
11.0 KVA 60 HZ 3 PH 4.3 % IMP

40 C AMB. 150 C RISE 220 C SYSTEM IS-19C

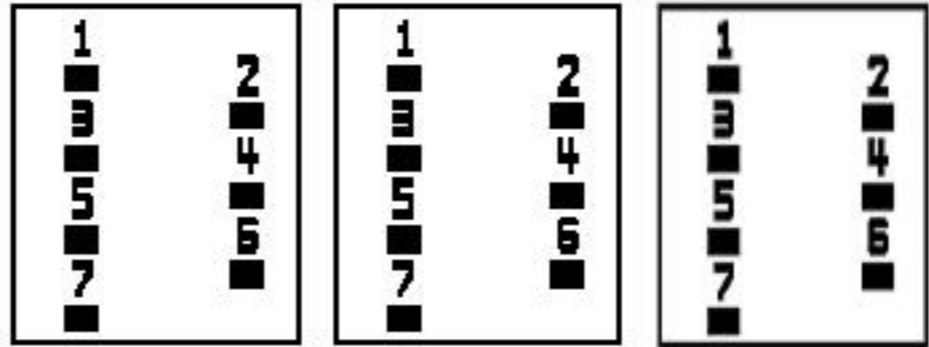
Note: Design is based on 15.00KVA & 150C Rise 5.8% Imp.

PRIMARY (H) 480 VOLTS (LINE-LINE)  
SECONDARY (X) 208 VOLTS (LINE-LINE)  
120 VOLTS (LINE-NEUTRAL)

ELECTROSTATIC GROUND SHIELD IN EACH PHASE



### COIL TAP ARRANGEMENT



| JUMPER CONNECTION |       |
|-------------------|-------|
| TAP               | VOLTS |
| 1                 | 504   |
| 2                 | 491   |
| 3                 | 480   |
| 4                 | 468   |
| 5                 | 457   |
| 6                 | 444   |
| 7                 | 431   |

NET WGT  
240 LB  
108.9 Kg

57785  
XU371

NOG  
102715

INSPECTION  
&  
FINAL TEST  
N544!



LISTED 769G

Assembled in Mexico

ENCLOSURE TYPE 2 (IP30). RAINPROOF TYPE 3R ENCLOSURE (IP32) WHEN PROVIDED SHIELD 9T18Y4317G11

BEFORE HANDLING, INSTALLING AND OPERATING, SEE INSTRUCTION 475A667AAP001 Outline: 303B401AAP071  
ALUMINUM CONDUCTOR PRIMARY: 10 KV BIL SECONDARY: 10 KV BIL

IN ACCORDANCE WITH NEC SECTION 450-9, ALLOW AT LEAST SIX INCHES CLEARANCE FOR VENTILATION. CHECK ADDITIONAL NEC AND LOCAL CODES.

X3 - X2 - X1 - X0  
- H3 - H2 - H1

Note: Standard

X0

X1 -

X2 -

X3 -

H1

H2

H3

X0

X1 -

X2 -

X3 -

H1

H2

H3

