



# Transformer



\*1M000000\*

X0

X0

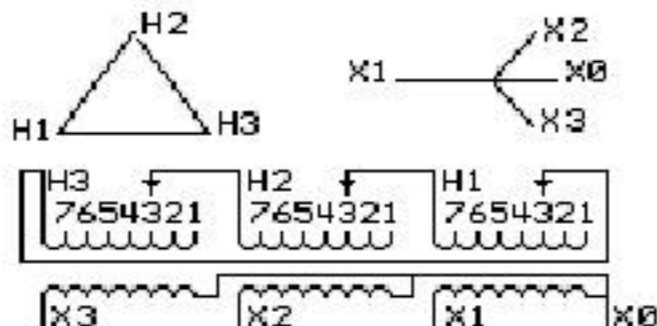
Catalog Number **9Q3A015AAA01B03RL0T** Type **QL-WP**

**9T83B3871G66**

**15.0 KVA 60 HZ 3 PH 5.5 % IMP**

40 C AMB. 115 C RISE 220 C SYSTEM IS-19C

Note: Design is based on 15.00KVA & 150C Rise 5.5% Imp.



JUMPER CONNECTION	
TAP	VOLTS
1	504
2	491
3	480
4	469
5	456
6	444
7	431

NET WGT  
180 LB  
81.6 Kg

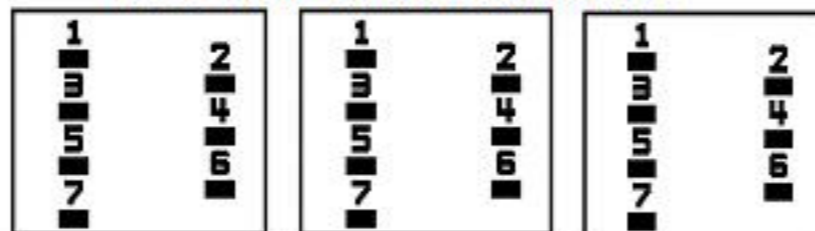
55504  
Y371A

NOG  
081715

INSPECTION  
&  
FINAL TEST  
N534!

PRIMARY (H) 480 VOLTS (LINE-LINE)  
 SECONDARY (X) 208 VOLTS (LINE-LINE)  
 120 VOLTS (LINE-NEUTRAL)

### COIL TAP ARRANGEMENT



LISTED 769G

Assembled in Mexico

ENCLOSURE TYPE 3R (IP22)

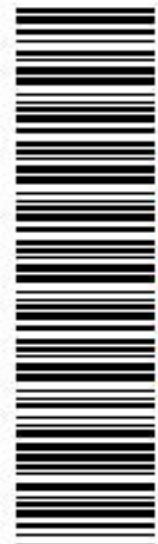
BEFORE HANDLING, INSTALLING AND OPERATING, SEE INSTRUCTION 475A667AAP001  
ALUMINUM CONDUCTOR PRIMARY: 10 KV BIL SECONDARY: 10 KV BIL

Outline: 303B401AAP071

IN ACCORDANCE WITH NEC SECTION 450-9, ALLOW AT LEAST SIX INCHES CLEARANCE FOR VENTILATION. CHECK ADDITIONAL NEC AND LOCAL CODES.

X3 - X2 - X1 - X0  
 - H3 - H2 - H1

Note: Standard



\*2M000000\*



\*3M000000\*