



# Transformer



\*1M000000\*

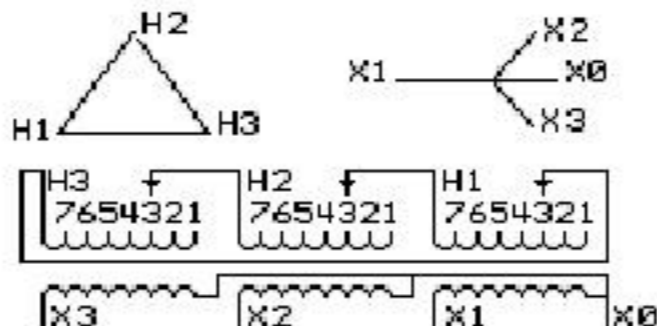
Catalog Number  
**9T83B3872G60**

Type **QL**

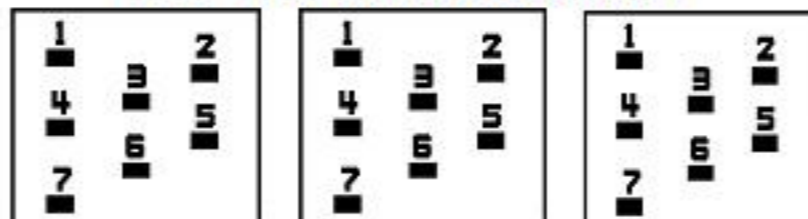
**30.0 KVA 60 HZ 3 PH 4.7 % IMP**

40 C AMB. 150 C RISE 220 C SYSTEM IS-19C

PRIMARY (H) 480 VOLTS (LINE-LINE)  
SECONDARY (X) 208 VOLTS (LINE-LINE)  
120 VOLTS (LINE-NEUTRAL)



### COIL TAP ARRANGEMENT



JUMPER CONNECTION	
TAP	VOLTS
1	505
2	491
3	480
4	467
5	456
6	445
7	431

NET WGT  
334 LB  
151.5 Kg

55993  
XV372  
NOG  
090815

INSPECTION  
&  
FINAL TEST  
N537!



LISTED 769G

Assembled in Mexico

ENCLOSURE TYPE 2 (IP30). RAINPROOF TYPE 3R ENCLOSURE (IP32) WHEN PROVIDED SHIELD 9T18Y4317G05

BEFORE HANDLING, INSTALLING AND OPERATING, SEE INSTRUCTION 475A667AAP001  
ALUMINUM CONDUCTOR PRIMARY: 10 KV BIL SECONDARY: 10 KV BIL

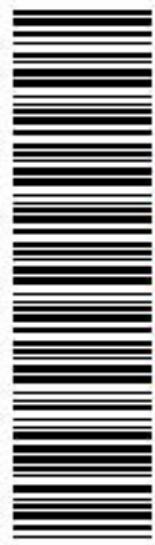
Outline: 303B401AAP072

**IN ACCORDANCE WITH NEC SECTION 450-9, ALLOW AT LEAST SIX INCHES CLEARANCE FOR VENTILATION. CHECK ADDITIONAL NEC AND LOCAL CODES.**

X3 - X2 - X1 - -  
- H3 - H2 - H1

Note: X0 Terminal at the bottom

X3 - X2 - X1 -  
- H3 - H2 - H1  
X3 - X2 - X1 -  
- H3 - H2 - H1  
X0



\*2M000000\*



\*3M000000\*