



Transformer



1M000000

X0

X0

Catalog Number

Type QL

9Q3A075AACD00A2T00

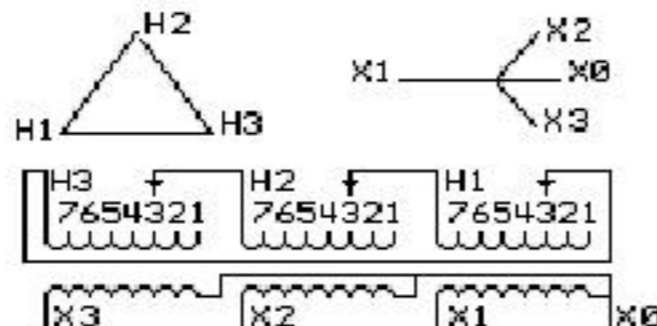
9T83B3874G04

75.0 KVA 60 HZ 3 PH 5.5 % IMP

40 C AMB. 150 C RISE 220 C SYSTEM IS-19C

Note: Design is based on 75.00KVA & 150C Rise 5.5% Imp.

PRIMARY (H) 480 VOLTS (LINE-LINE)
SECONDARY (X) 208 VOLTS (LINE-LINE)
120 VOLTS (LINE-NEUTRAL)



| JUMPER CONNECTION | |
|-------------------|-------|
| TAP | VOLTS |
| 1 | 503 |
| 2 | 493 |
| 3 | 480 |
| 4 | 467 |
| 5 | 457 |
| 6 | 443 |
| 7 | 433 |

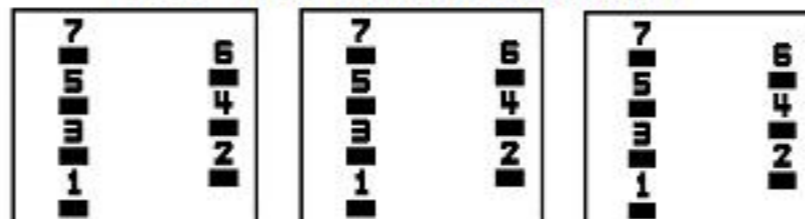
NET WGT
545 LB
247.2 Kg

55512
R374A

NOG
081715

INSPECTION
&
FINAL TEST
N534!

COIL TAP ARRANGEMENT



LISTED 769G

ENCLOSURE TYPE 2 (IP30). RAINPROOF TYPE 3R ENCLOSURE (IP32) WHEN PROVIDED SHIELD 9T18Y4317G06

Assembled in Mexico

BEFORE HANDLING, INSTALLING AND OPERATING, SEE INSTRUCTION 475A667AAP001
ALUMINUM CONDUCTOR PRIMARY: 10 KV BIL SECONDARY: 10 KV BIL

Outline: 303B401AAP074

IN ACCORDANCE WITH NEC SECTION 450-9, ALLOW AT LEAST SIX INCHES
CLEARANCE FOR VENTILATION. CHECK ADDITIONAL NEC AND LOCAL CODES.

X3 - X2 - X1 - X0
- H3 - H2 - H1

Note: Standard



2M000000



3M000000