



Transformer

Catalog Number 9T83B3876G05

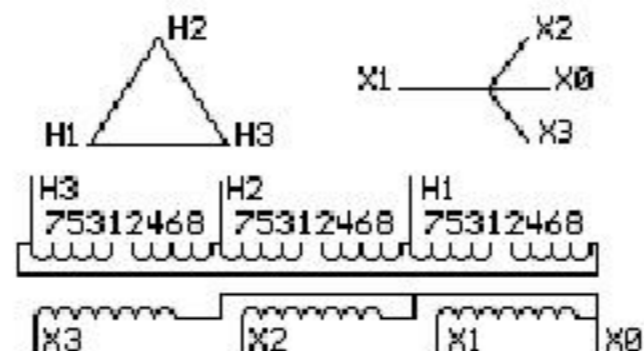
9Q3A150AAA00R2T00

150.0 KVA 60 HZ 3 PH 5.2 % IMP

50 C AMB. 115 C RISE 220 C SYSTEM IS-19C Type: QL

Note: Design is based on 225.0KVA & 150C Rise 7.8% Imp.

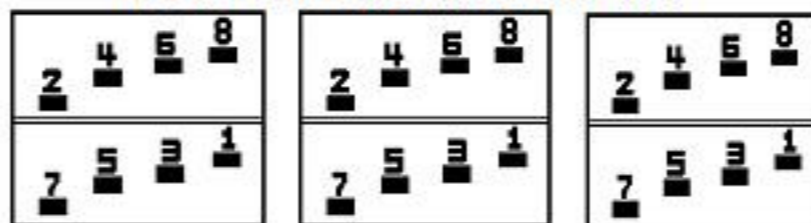
PRIMARY (H)	480 VOLTS (LINE-LINE)
SECONDARY (X)	208 VOLTS (LINE-LINE)
	120 VOLTS (LINE-NEUTRAL)



JUMPER CONNECTION

TAP	VOLTS
1-2	500
2-3	494
3-4	480
4-5	467
5-6	454
6-7	440
7-8	427

COIL TAP ARRANGEMENT



NET WGT 1205 LB 546.6 Kg

081715	N534!	L37AA
	55557	NOG

ENCLOSURE TYPE 2 (IP30). RAINPROOF TYPE 3R ENCLOSURE (IP32) WHEN PROVIDED SHIELD 9T18Y4322G88

BEFORE HANDLING, INSTALLING AND OPERATING, SEE INSTRUCTION 475A667AAP001
ALUMINUM CONDUCTOR PRIMARY: 10 KV BIL SECONDARY: 10 KV BIL

IN ACCORDANCE WITH NEC SECTION 450-9, ALLOW AT LEAST SIX INCHES CLEARANCE FOR VENTILATION. CHECK ADDITIONAL NEC AND LOCAL CODES.



LISTED 769G

Outline: 3038912AAP177
Assembled in Mexico

INSPECTION & FINAL TEST
N534!

