



# Transformer



\*1M000000\*

Catalog Number

Type QL

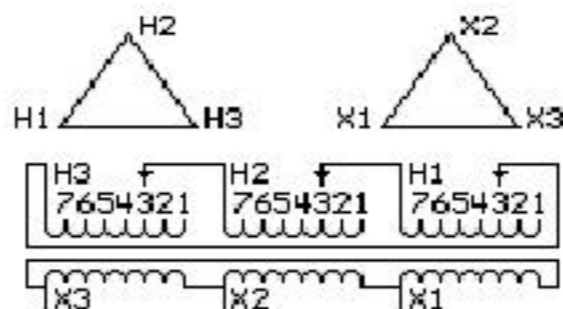
9Q3A011AAAB00A2T00

9T83B3880G04

11.0 KVA 60 HZ 3 PH 5 % IMP

40 C AMB. 150 C RISE 220 C SYSTEM IS-19C

Note: Design is based on 15.00KVA & 150C Rise 6.8% Imp.



JUMPER CONNECTION	
TAP	VOLTS
1	504
2	493
3	480
4	467
5	456
6	444
7	433

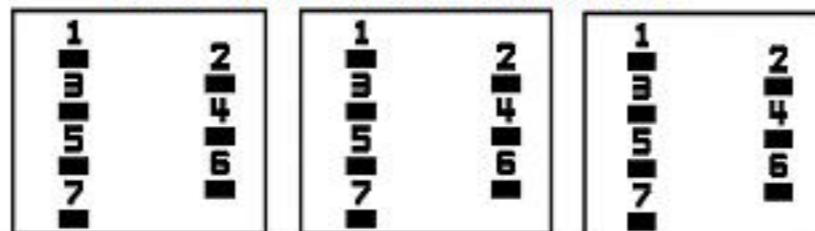
NET WGT  
240 LB  
108.9 Kg

54482  
XV371  
NOG  
071615

INSPECTION  
&  
FINAL TEST  
N529!

PRIMARY (H) 480 VOLTS (LINE-LINE)  
 SECONDARY (X) 240 VOLTS (LINE-LINE)

### COIL TAP ARRANGEMENT



ENCLOSURE TYPE 2 (IP30). RAINPROOF TYPE 3R ENCLOSURE (IP32) WHEN PROVIDED SHIELD 9T18Y4317G11

Assembled in Mexico

BEFORE HANDLING, INSTALLING AND OPERATING, SEE INSTRUCTION 475A667AAP001  
ALUMINUM CONDUCTOR PRIMARY: 10 KV BIL SECONDARY: 10 KV BIL

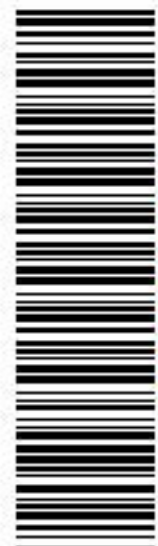
Outline: 303B401AAP071

IN ACCORDANCE WITH NEC SECTION 450-9, ALLOW AT LEAST SIX INCHES CLEARANCE FOR VENTILATION. CHECK ADDITIONAL NEC AND LOCAL CODES.

X3 - X2 - X1 - -  
 - H3 - H2 - H1

Note: Standard

X1 - -  
 X2 - - H2 - H1  
 X3 - - H3 - H2 - H1



\*2M000000\*



\*3M000000\*