



Drive Isolation Transformer

NEMA CLASS AA DRY TYPE TRANSFORMER



1M000000

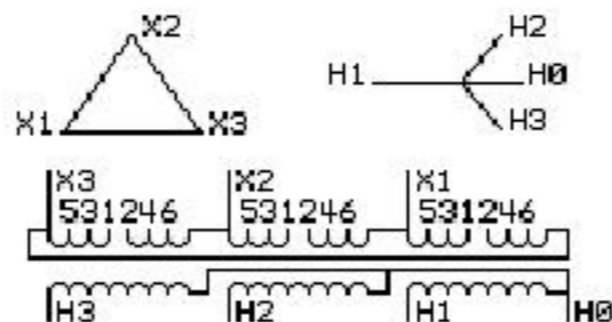
Catalog Number Type QL

9D3A015AMBR00A2T00

9T83B4000G07

15.0 KVA 60 HZ 3 PH 7.4 % IMP

40 C AMB. 150 C RISE 220 C SYSTEM IS-19C



JUMPER CONNECTION	
TAP	VOLTS
1-2	421
2-3	410
3-4	400
4-5	390
5-6	381

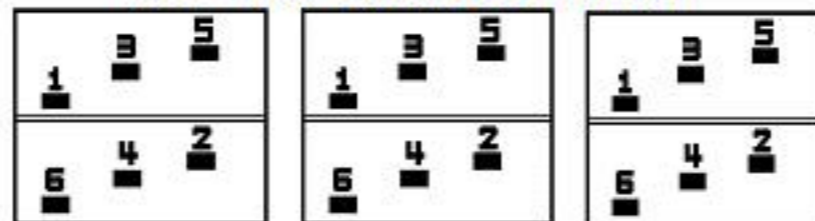
NET WGT
240 LB
108.9 Kg

60775
XV371
NOG
033016

INSPECTION
&
FINAL TEST
N614!

PRIMARY (X) 400 VOLTS (LINE-LINE)
 SECONDARY (H) 460 VOLTS (LINE-LINE)
 266 VOLTS (LINE-NEUTRAL)

COIL TAP ARRANGEMENT



LISTED 769G

ENCLOSURE TYPE 2 (IP20). RAINPROOF TYPE 3R ENCLOSURE (IP22) WHEN PROVIDED SHIELD 9T18Y4317G11

Assembled in Mexico

BEFORE HANDLING, INSTALLING AND OPERATING, SEE INSTRUCTION 475A667AAP001
ALUMINUM CONDUCTOR PRIMARY: 10 KV BIL SECONDARY: 10 KV BIL

Outline: 303B401AAP071

IN ACCORDANCE WITH NEC SECTION 450-9, ALLOW AT LEAST SIX INCHES
CLEARANCE FOR VENTILATION. CHECK ADDITIONAL NEC AND LOCAL CODES.

H3 - H2 - H1 - -
 - X3 - X2 - X1

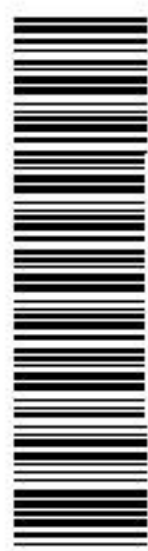
Note:

H3 - H2 - H1 - -
 - X3 - X2 - X1
 H3 - H2 - H1 - -
 - X3 - X2 - X1

H0



2M000000



3M000000