



# Transformer



\*M0000000\*

Catalog Number  
9T83B4003G22

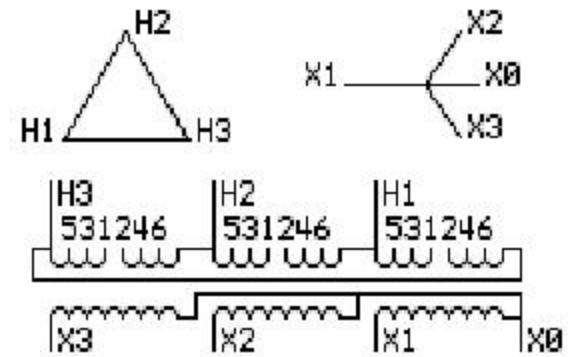
Type QL

34.0 KVA 60 HZ 3 PH 4.3 % IMP

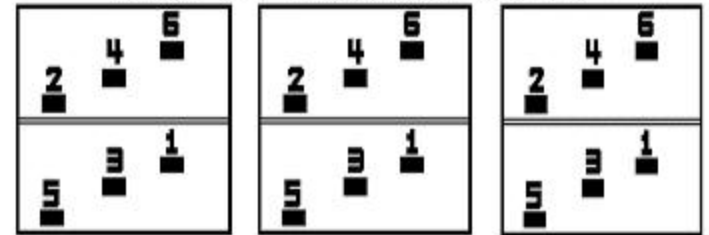
40 C AMB. 150 C RISE 220 C SYSTEM IS-19C

Note: Design is based on 40.00KVA & 150C Rise 5.3% Imp.

PRIMARY (H) 460 VOLTS (LINE-LINE)  
SECONDARY (X) 460 VOLTS (LINE-LINE)  
266 VOLTS (LINE-NEUTRAL)



### COIL TAP ARRANGEMENT



JUMPER CONNECTION

TAP	VOLTS
1-2	483
3-4	460
5-6	437

NET WGT  
415 LB  
188.2 Kg  
9T83B4004G22  
25244  
KW373  
NOG  
020413

INSPECTION  
&  
FINAL TEST  
N306!



LISTED 769G

Assembled in Mexico

ENCLOSURE TYPE 2 (IP30). RAINPROOF TYPE 3R ENCLOSURE (IP32) WHEN PROVIDED SHIELD 9T18Y4317G05

BEFORE HANDLING, INSTALLING AND OPERATING, SEE INSTRUCTION 475A667AAP001 Outline: 303B401AAP073  
ALUMINUM CONDUCTOR PRIMARY: 10 KV BIL SECONDARY: 10 KV BIL

IN ACCORDANCE WITH NEC SECTION 450-9, ALLOW AT LEAST SIX INCHES CLEARANCE FOR VENTILATION. CHECK ADDITIONAL NEC AND LOCAL CODES.

X3 - X2 - X1 - -  
- H3 - H2 - H1

Note: X0 Terminal at the bottom

X3 - X2 - X1 - -  
- H3 - H2 - H1  
X3 - X2 - X1 - -  
- H3 - H2 - H1  
X0



\*M0000000\*



\*M0000000\*