



# Transformer



\*M0000000\*

**Catalog Number**  
9T83B4003G68

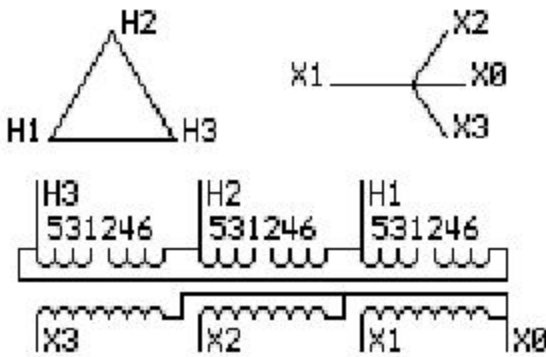
Type QL

**34.0 KVA 60 HZ 3 PH 3.5 % IMP**

40 C AMB. 150 C RISE 220 C SYSTEM IS-19C

Note: Design is based on 40.00KVA & 150C Rise 4.1% Imp.

PRIMARY (H) 460 VOLTS (LINE-LINE)  
SECONDARY (X) 160 VOLTS (LINE-LINE)  
92 VOLTS (LINE-NEUTRAL)



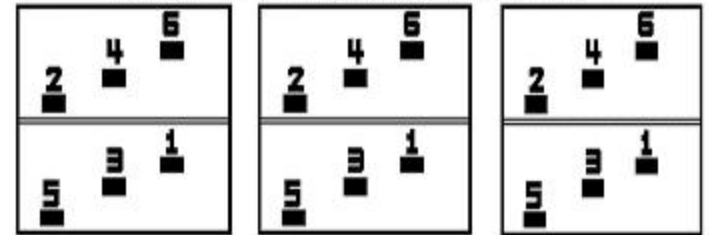
**JUMPER CONNECTION**

TAP	VOLTS
1-2	483
3-4	460
5-6	438

NET WGT  
430 LB  
195.0 Kg  
9T83B4004G68  
26130  
EE73  
NOG  
012113

INSPECTION & FINAL TEST N304!

### COIL TAP ARRANGEMENT



LISTED 769G

ENCLOSURE TYPE 2 (IP30). RAINPROOF TYPE 3R ENCLOSURE (IP32) WHEN PROVIDED SHIELD 9T18Y4317G05

Assembled in Mexico

BEFORE HANDLING, INSTALLING AND OPERATING, SEE INSTRUCTION 475A667AAP001 Outline: 303B401AAP073  
ALUMINUM CONDUCTOR PRIMARY: 10 KV BIL SECONDARY: 10 KV BIL

IN ACCORDANCE WITH NEC SECTION 450-9, ALLOW AT LEAST SIX INCHES CLEARANCE FOR VENTILATION. CHECK ADDITIONAL NEC AND LOCAL CODES.

X3 - X2 - X1 - -  
- H3 - H2 - H1

Note: X0 Terminal at the bottom

X3 - X2 - X1 - -  
- H3 - H2 - H1  
X3 - X2 - X1 - -  
- H3 - H2 - H1  
X0



\*M0000000\*



\*M0000000\*