



Transformer



M0000000

Catalog Number

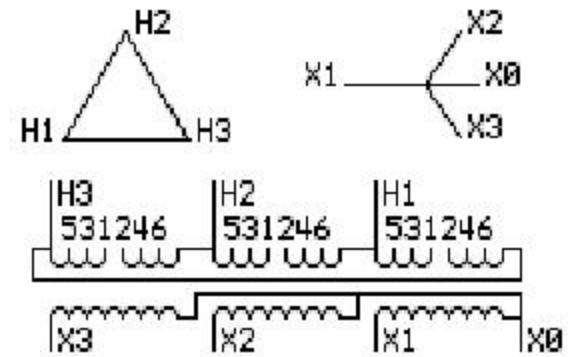
Type QL

9T83B4004G68

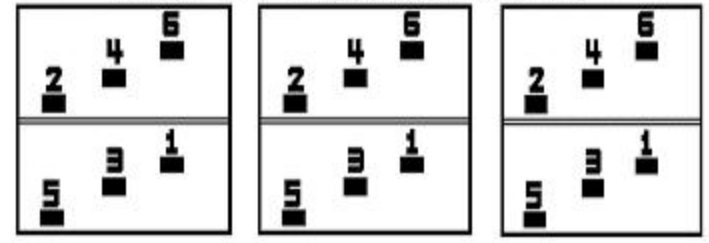
40.0 KVA 60 HZ 3 PH 4.1 % IMP

40 C AMB. 150 C RISE 220 C SYSTEM IS-19C

PRIMARY (H) 460 VOLTS (LINE-LINE)
SECONDARY (X) 160 VOLTS (LINE-LINE)
92 VOLTS (LINE-NEUTRAL)



COIL TAP ARRANGEMENT



JUMPER CONNECTION

| TAP | VOLTS |
|-----|-------|
| 1-2 | 483 |
| 3-4 | 460 |
| 5-6 | 438 |

NET WGT
430 LB
195.0 Kg
9T83B4004G68
26130
EE73
NOG
012113

INSPECTION & FINAL TEST N304!



ENCLOSURE TYPE 2 (IP30). RAINPROOF TYPE 3R ENCLOSURE (IP32) WHEN PROVIDED SHIELD 9T18Y4317G05

Assembled in Mexico

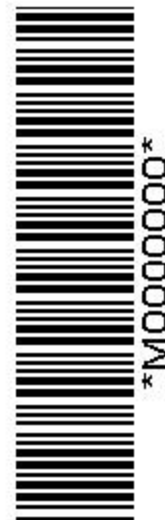
BEFORE HANDLING, INSTALLING AND OPERATING, SEE INSTRUCTION 475A667AAP001 Outline: 303B401AAP073
ALUMINUM CONDUCTOR PRIMARY: 10 KV BIL SECONDARY: 10 KV BIL

IN ACCORDANCE WITH NEC SECTION 450-9, ALLOW AT LEAST SIX INCHES CLEARANCE FOR VENTILATION. CHECK ADDITIONAL NEC AND LOCAL CODES.

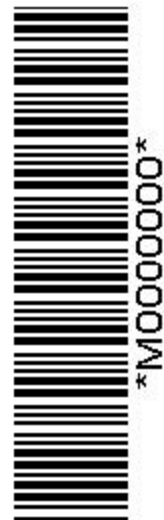
X3 - X2 - X1 - -
- H3 - H2 - H1

Note: X0 Terminal at the bottom

X3 - X2 - X1 - -
- H3 - H2 - H1
X3 - X2 - X1 - -
- H3 - H2 - H1
X0



M0000000



M0000000