



# Transformer



\*M0000000\*

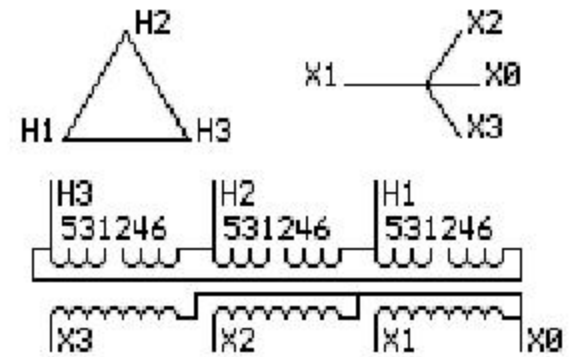
**Catalog Number**  
9T83B4010G23

Type QL

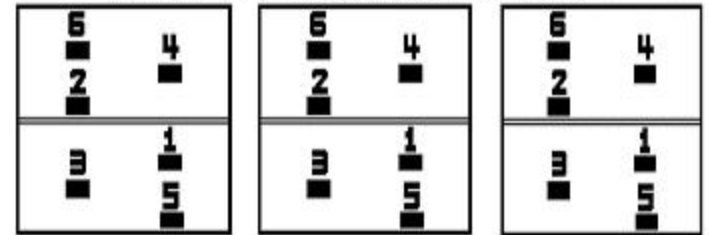
**145.0 KVA 60 HZ 3 PH 6.5 % IMP**

40 C AMB. 150 C RISE 220 C SYSTEM IS-19C

PRIMARY (H) 460 VOLTS (LINE-LINE)  
SECONDARY (X) 230 VOLTS (LINE-LINE)  
133 VOLTS (LINE-NEUTRAL)



### COIL TAP ARRANGEMENT



**JUMPER CONNECTION**

TAP	VOLTS
1-2	485
3-4	460
5-6	439

NET WGT  
1070 LB  
485.4 Kg  
9T83B4010G23  
26174  
K0376  
NOG  
012113

INSPECTION & FINAL TEST N304!



LISTED 769G

Assembled in Mexico

ENCLOSURE TYPE 2 (IP30). RAINPROOF TYPE 3R ENCLOSURE (IP32) WHEN PROVIDED SHIELD 9T18Y4317G07

BEFORE HANDLING, INSTALLING AND OPERATING, SEE INSTRUCTION 475A667AAP001 Outline: 303B401AAP076  
ALUMINUM CONDUCTOR PRIMARY: 10 KV BIL SECONDARY: 10 KV BIL

IN ACCORDANCE WITH NEC SECTION 450-9, ALLOW AT LEAST SIX INCHES CLEARANCE FOR VENTILATION. CHECK ADDITIONAL NEC AND LOCAL CODES.

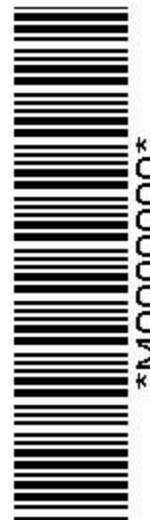
X3 - X2 - X1 - -  
- H3 - H2 - H1

Note: X0 Terminal at the bottom

X3 - X2 - X1 - -  
- H3 - H2 - H1  
X3 - X2 - X1 - -  
- H3 - H2 - H1  
X0



\*M0000000\*



\*M0000000\*