



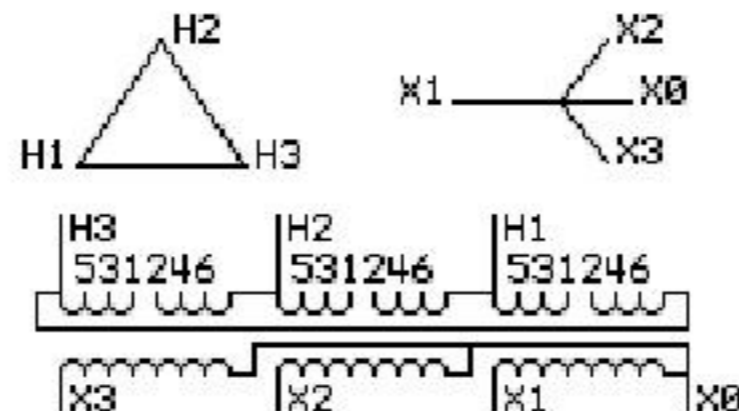
Drive Isolation Transformer

Catalog Number 9T83B4012G95

9D3A220AABR00A2T00

220.0 KVA 60 HZ 3 PH 6.7 % IMP

40 C AMB. 150 C RISE 220 C SYSTEM IS-19C Type: QL

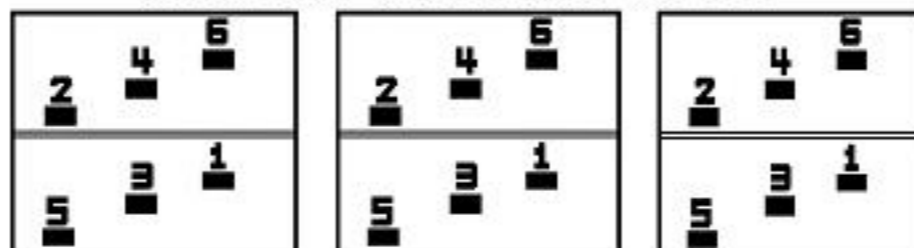


JUMPER CONNECTION TAP VOLTS

TAP	VOLTS
1-2	506
3-4	480
5-6	455

PRIMARY (H) 480 VOLTS (LINE-LINE)
 SECONDARY (X) 460 VOLTS (LINE-LINE)
 266 VOLTS (LINE-NEUTRAL)

COIL TAP ARRANGEMENT



NET WGT 1590 LB 721.2 Kg

121015 N550! XV377
 58658 NOG

ENCLOSURE TYPE 2 (IP30). RAINPROOF TYPE 3R ENCLOSURE (IP32) WHEN PROVIDED SHIELD 9T18Y4322G88

BEFORE HANDLING, INSTALLING AND OPERATING, SEE INSTRUCTION 475A667AAP001
 ALUMINUM CONDUCTOR PRIMARY: 10 KV BIL SECONDARY: 10 KV BIL

IN ACCORDANCE WITH NEC SECTION 450-9, ALLOW AT LEAST SIX INCHES
 CLEARANCE FOR VENTILATION. CHECK ADDITIONAL NEC AND LOCAL CODES.



Outline: 303B919AAP077
 Assembled in Mexico

INSPECTION & FINAL TEST
 N550!

