



Transformer



1M000000

Catalog Number

9T83B4303G23

Type QL

34.0 KVA 60 HZ 3 PH 4.8 % IMP

40 C AMB. 150 C RISE 220 C SYSTEM IS-19C

PRIMARY (H) 460 VOLTS (LINE-LINE)
SECONDARY (X) 230 VOLTS (LINE-LINE)
133 VOLTS (LINE-NEUTRAL)

ELECTROSTATIC GROUND SHIELD IN EACH PHASE

ENCLOSURE TYPE 2 (IP30). RAINPROOF TYPE 3R ENCLOSURE (IP32) WHEN PROVIDED SHIELD 9T18Y4317G05

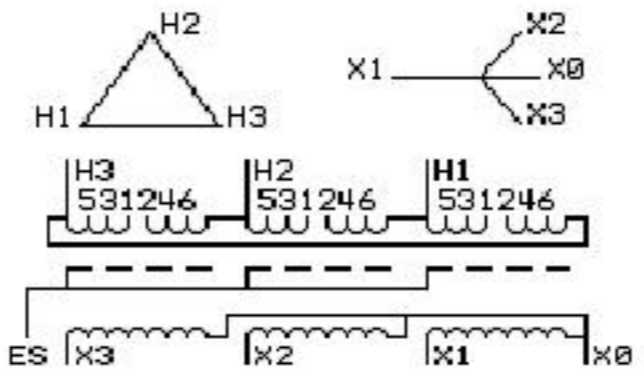
BEFORE HANDLING, INSTALLING AND OPERATING, SEE INSTRUCTION 475A667AAP001 Outline: 303B401AAP073
ALUMINUM CONDUCTOR PRIMARY: 10 KV BIL SECONDARY: 10 KV BIL

IN ACCORDANCE WITH NEC SECTION 450-9, ALLOW AT LEAST SIX INCHES CLEARANCE FOR VENTILATION. CHECK ADDITIONAL NEC AND LOCAL CODES.

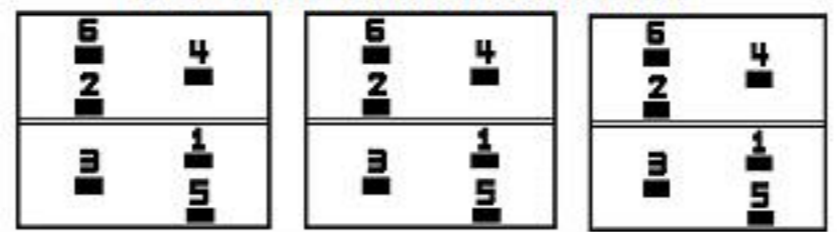
GE Energy Industrial Solutions

NEMA CLASS AA DRY TYPE TRANSFORMER

Meets TP-1 2002 efficiency



COIL TAP ARRANGEMENT



JUMPER CONNECTION

TAP	VOLTS
1-2	483
3-4	460
5-6	438

NET WGT
415 LB
188.2 Kg

53431
XV373
NOG
071515

INSPECTION & FINAL TEST
N529!



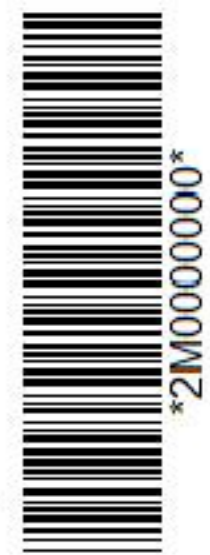
LISTED 769G

Assembled in Mexico

X3 - X2 - X1 - -
- H3 - H2 - H1

Note: X0 Terminal at the bottom

X1 - -
X2 - -
H3 - H2 - H1



2M000000

X1 - -
X2 - -
H3 - H2 - H1



3M000000

X0