



Transformer



1M000000

Catalog Number **Type QL**

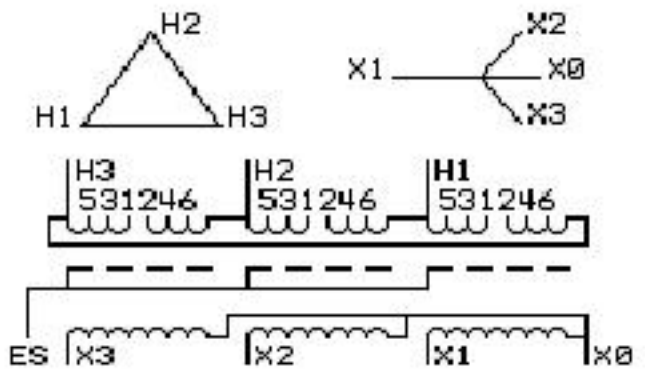
9D3A093AAAD01A2T00
9T83B4308G55

93.0 KVA 60 HZ 3 PH 5.8 % IMP

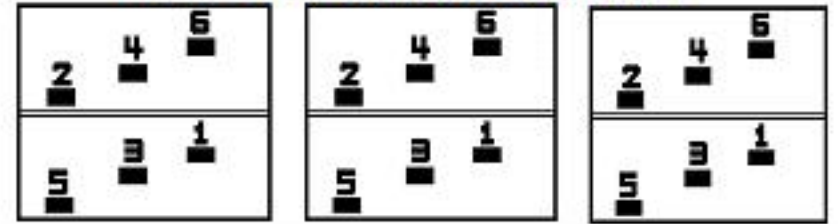
40 C AMB. 150 C RISE 220 C SYSTEM IS-19C

9T83B4305G559T83B4305G55
150911JA0 303B401AAP073 YNNN 40150
220IS-19COL 3 60AL100198Y51.00 6.1 41
5 480(+1,-1 4.7

ELECTROSTATIC GROUND SHIELD IN EACH PHASE



COIL TAP ARRANGEMENT



NSALE0 51.000480C
+1,-1 4.70%)
480Y/277

NY 0911
N9T18Y4317G05T
TRANSFORMER D
IT H0
0

NET WGT
765 LB
347.0 Kg

57243
XV375
NOG
091715

INSPECTION
&
FINAL TEST
N538!

520



LISTED 769G

Assembled in Mexico

ENCLOSURE TYPE 2 (IP30). RAINPROOF TYPE 3R ENCLOSURE (IP32) WHEN PROVIDED SHIELD 9T18Y4317G06

BEFORE HANDLING, INSTALLING AND OPERATING, SEE INSTRUCTION 475A667AAP001 Outline: 303B401AAP075
ALUMINUM CONDUCTOR PRIMARY: 10 KV BIL SECONDARY: 10 KV BIL

IN ACCORDANCE WITH NEC SECTION 450-9, ALLOW AT LEAST SIX INCHES
CLEARANCE FOR VENTILATION. CHECK ADDITIONAL NEC AND LOCAL CODES.

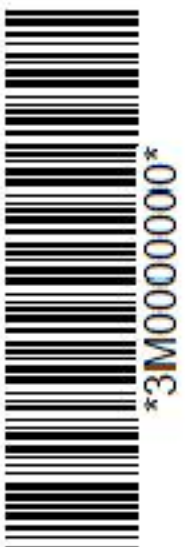
X3 - X2 - X1 - -
- H3 - H2 - H1

Note: X0 Terminal at the bottom

X3 - X2 - X1 -
- H3 - H2 - H1
X3 - X2 - X1 -
- H3 - H2 - H1
X0



2M000000



3M000000