



Transformer



1M000000

Catalog Number

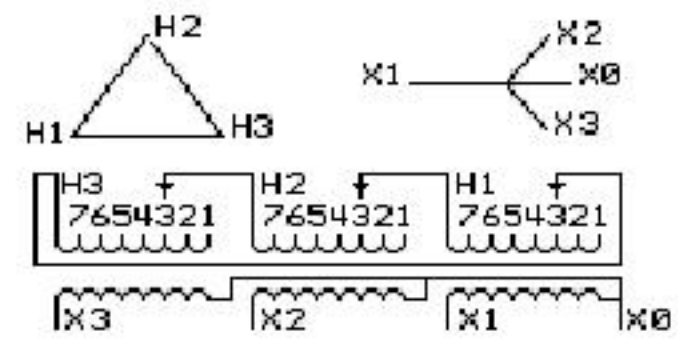
9T83B5131

Type QL

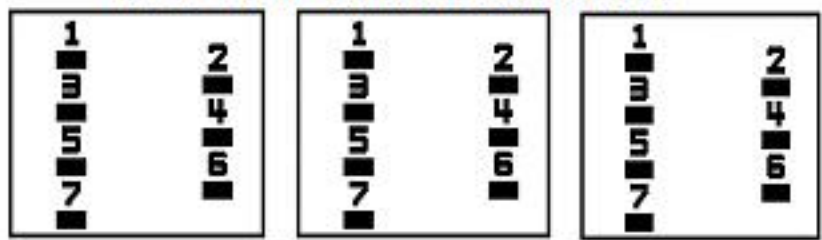
15.0 KVA 60 HZ 3 PH 5.7 % IMP

40 C AMB. 150 C RISE 220 C SYSTEM IS-19C

PRIMARY (H) 400 VOLTS (LINE-LINE)
SECONDARY (X) 200 VOLTS (LINE-LINE)
115 VOLTS (LINE-NEUTRAL)



COIL TAP ARRANGEMENT



JUMPER CONNECTION	
TAP	VOLTS
1	419
2	410
3	400
4	391
5	381
6	371
7	362

NET WGT
240 LB
108.9 Kg

54506
XV371
NOG
071615

INSPECTION
&
FINAL TEST
N529!



LISTED 769G

Assembled in Mexico

ENCLOSURE TYPE 2 (IP30). RAINPROOF TYPE 3R ENCLOSURE (IP32) WHEN PROVIDED SHIELD 9T18Y4317G11

BEFORE HANDLING, INSTALLING AND OPERATING, SEE INSTRUCTION 475A667AAP001 Outline: 303B401AAP071
ALUMINUM CONDUCTOR PRIMARY: 10 KV BIL SECONDARY: 10 KV BIL

IN ACCORDANCE WITH NEC SECTION 450-9, ALLOW AT LEAST SIX INCHES CLEARANCE FOR VENTILATION. CHECK ADDITIONAL NEC AND LOCAL CODES.

X3 - X2 - X1 - X0
- H3 - H2 - H1

Note: Standard

X0

X1 -

X2 -

X3 -

H3 - H2 - H1

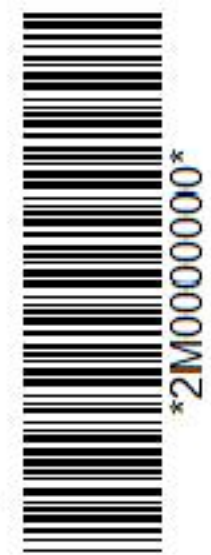
X0

X1 -

X2 -

X3 -

H3 - H2 - H1



2M000000



3M000000