



Transformer



1M000000

Catalog Number

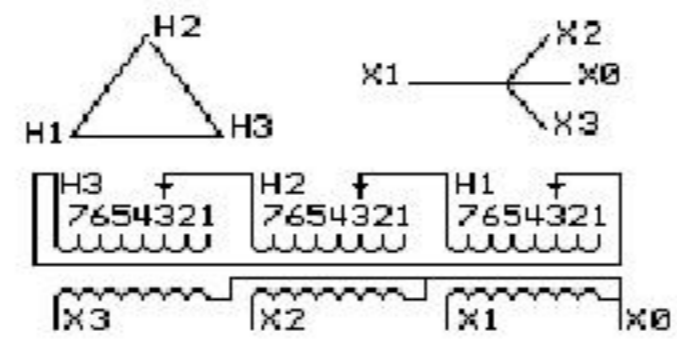
9T83B5133

Type QL

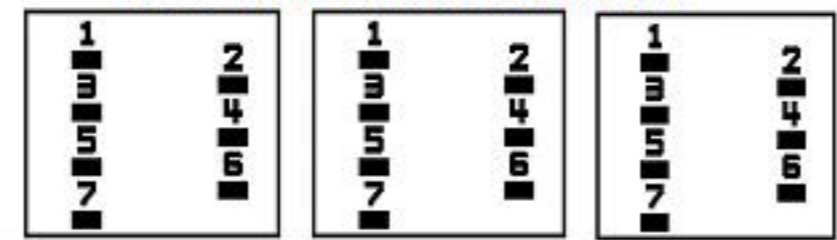
45.0 KVA 60 HZ 3 PH 5.9 % IMP

40 C AMB. 150 C RISE 220 C SYSTEM IS-19C

PRIMARY (H) 400 VOLTS (LINE-LINE)
SECONDARY (X) 200 VOLTS (LINE-LINE)
115 VOLTS (LINE-NEUTRAL)



COIL TAP ARRANGEMENT



JUMPER CONNECTION	
TAP	VOLTS
1	419
2	410
3	400
4	390
5	381
6	370
7	361

NET WGT
415 LB
188.2 Kg

53441
XV373
NOG
071515

INSPECTION
&
FINAL TEST
N529!



LISTED 769G

Assembled in Mexico

ENCLOSURE TYPE 2 (IP30). RAINPROOF TYPE 3R ENCLOSURE (IP32) WHEN PROVIDED SHIELD 9T18Y4317G05

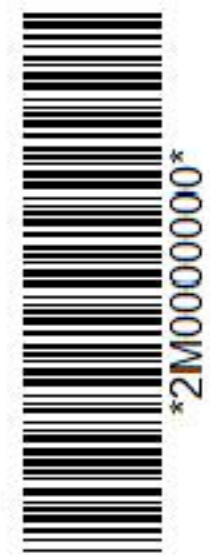
BEFORE HANDLING, INSTALLING AND OPERATING, SEE INSTRUCTION 475A667AAP001 Outline: 303B401AAP073
ALUMINUM CONDUCTOR PRIMARY: 10 KV BIL SECONDARY: 10 KV BIL

IN ACCORDANCE WITH NEC SECTION 450-9, ALLOW AT LEAST SIX INCHES CLEARANCE FOR VENTILATION. CHECK ADDITIONAL NEC AND LOCAL CODES.

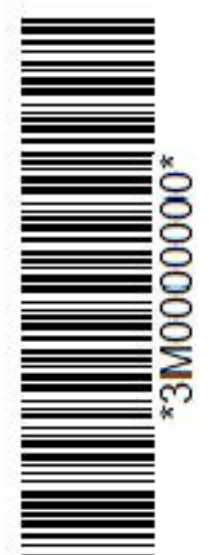
X3 - X2 - X1 - -
- H3 - H2 - H1

Note: X0 Terminal at the bottom

X1 - -
X2 - - H1
X3 - H2 - H1
X1 - -
X2 - - H1
X3 - H2 - H1
X0



2M000000



3M000000