



Transformer



1M000000

Catalog Number

Type QL

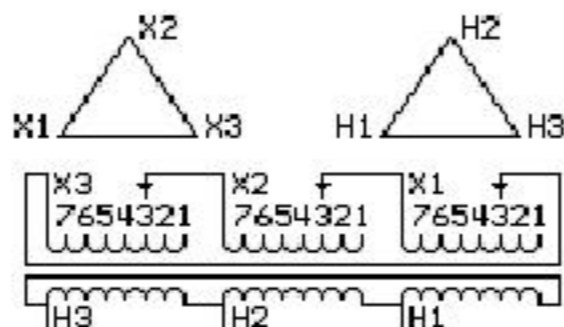
9Q3A011AEA00A2N00

9T83B5140

11.0 KVA 60 HZ 3 PH 4.7 % IMP

40 C AMB. 150 C RISE 220 C SYSTEM IS-19C

Note: Design is based on 15.00KVA & 150C Rise 6.4% Imp.



JUMPER CONNECTION	
TAP	VOLTS
1	252
2	245
3	240
4	234
5	229
6	222
7	218

NET WGT

240 LB
108.9 Kg

54508

XV371

NOG

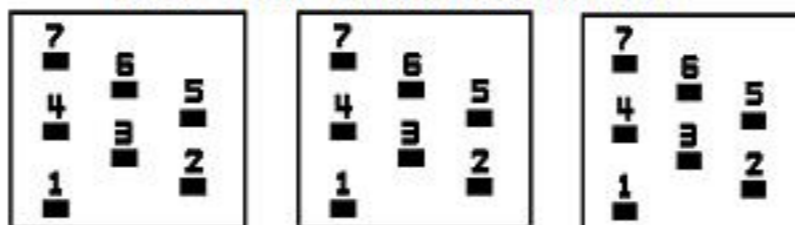
071615

INSPECTION
&
FINAL TEST
N529!

PRIMARY (X) 240 VOLTS (LINE-LINE)

SECONDARY (H) 380 VOLTS (LINE-LINE)

COIL TAP ARRANGEMENT



LISTED 769G

ENCLOSURE TYPE 2 (IP30). RAINPROOF TYPE 3R ENCLOSURE (IP32) WHEN PROVIDED SHIELD 9T18Y4317G11

Assembled in Mexico

BEFORE HANDLING, INSTALLING AND OPERATING, SEE INSTRUCTION 475A667AAP001

Outline: 303B401AAP071

ALUMINUM CONDUCTOR

PRIMARY: 10 KV BIL

SECONDARY: 10 KV BIL

IN ACCORDANCE WITH NEC SECTION 450-9, ALLOW AT LEAST SIX INCHES CLEARANCE FOR VENTILATION. CHECK ADDITIONAL NEC AND LOCAL CODES.

H3 - H2 - H1 - -
- X3 - X2 - X1

Note: Standard



2M000000



3M000000

H3 - H2 - H1 -
- X3 - X2 - X1
H3 - H2 - H1 -
- X3 - X2 - X1