



# Transformer



\*1M000000\*

Catalog Number

Type QL

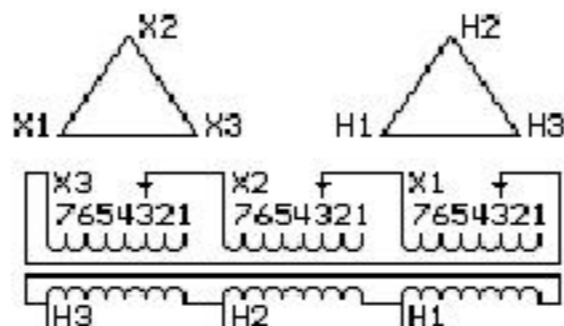
9T83B5141

15.0 KVA 60 HZ 3 PH 6.4 % IMP

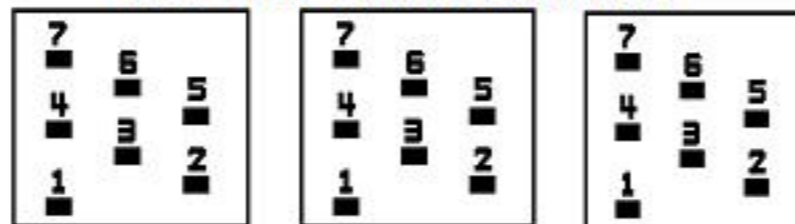
40 C AMB. 150 C RISE 220 C SYSTEM IS-19C

PRIMARY (X) 240 VOLTS (LINE-LINE)

SECONDARY (H) 380 VOLTS (LINE-LINE)



### COIL TAP ARRANGEMENT



JUMPER CONNECTION	
TAP	VOLTS
1	252
2	245
3	240
4	234
5	229
6	222
7	218

NET WGT  
240 LB  
108.9 Kg

54508  
XV371  
NOG  
071615

INSPECTION  
&  
FINAL TEST  
N529!



LISTED 769G

Assembled in Mexico

ENCLOSURE TYPE 2 (IP30). RAINPROOF TYPE 3R ENCLOSURE (IP32) WHEN PROVIDED SHIELD 9T18Y4317G11

BEFORE HANDLING, INSTALLING AND OPERATING, SEE INSTRUCTION 475A667AAP001  
ALUMINUM CONDUCTOR PRIMARY: 10 KV BIL SECONDARY: 10 KV BIL

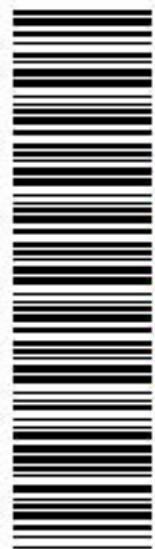
Outline: 303B401AAP071

IN ACCORDANCE WITH NEC SECTION 450-9, ALLOW AT LEAST SIX INCHES CLEARANCE FOR VENTILATION. CHECK ADDITIONAL NEC AND LOCAL CODES.

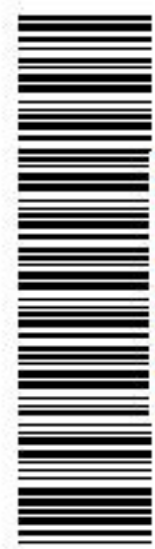
H3 - H2 - H1 - -  
- X3 - X2 - X1

Note: Standard

H3 - H2 - H1 -  
- X3 - X2 - X1



\*2M000000\*



\*3M000000\*