



Transformer



1M000000

Catalog Number

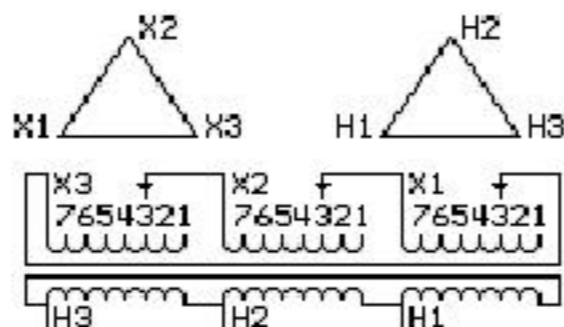
Type QL

9T83B5152

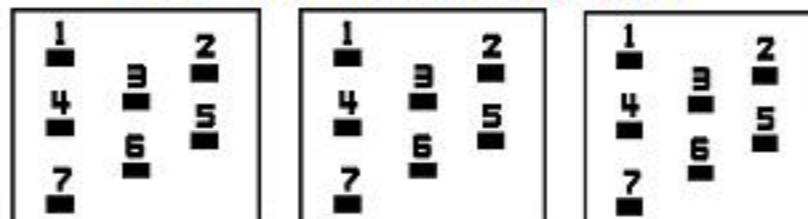
30.0 KVA 60 HZ 3 PH 7.1 % IMP

40 C AMB. 150 C RISE 220 C SYSTEM IS-19C

PRIMARY (X) 208 VOLTS (LINE-LINE)
SECONDARY (H) 315 VOLTS (LINE-LINE)



COIL TAP ARRANGEMENT



JUMPER CONNECTION	
TAP	VOLTS
1	219
2	212
3	208
4	204
5	197
6	193
7	18E

NET WGT
334 LB
151.5 Kg

53443
XV372
NOG
071515

INSPECTION
&
FINAL TEST
N529!



LISTED 769G

Assembled in Mexico

ENCLOSURE TYPE 2 (IP30). RAINPROOF TYPE 3R ENCLOSURE (IP32) WHEN PROVIDED SHIELD 9T18Y4317G05

BEFORE HANDLING, INSTALLING AND OPERATING, SEE INSTRUCTION 475A667AAP001
ALUMINUM CONDUCTOR PRIMARY: 10 KV BIL SECONDARY: 10 KV BIL

Outline: 303B401AAP072

IN ACCORDANCE WITH NEC SECTION 450-9, ALLOW AT LEAST SIX INCHES
CLEARANCE FOR VENTILATION. CHECK ADDITIONAL NEC AND LOCAL CODES.

H3 - H2 - H1 - -
- X3 - X2 - X1

Note: Standard

H3 - H2 - H1 - -
- X3 - X2 - X1 - -
H3 - H2 - H1 - -
- X3 - X2 - X1 - -



2M000000



3M000000