



# Transformer



\*1M000000\*

Catalog Number

Type QL

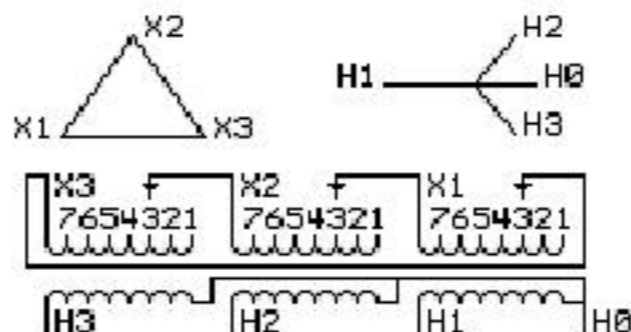
9Q3A030AYAD00A2T00

9T83B5192

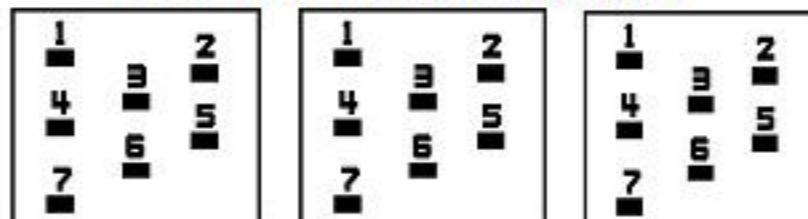
30.0 KVA 60 HZ 3 PH 5.6 % IMP

40 C AMB. 150 C RISE 220 C SYSTEM IS-19C

PRIMARY (X) 440 VOLTS (LINE-LINE)  
SECONDARY (H) 480 VOLTS (LINE-LINE)  
277 VOLTS (LINE-NEUTRAL)



### COIL TAP ARRANGEMENT



JUMPER CONNECTION	
TAP	VOLTS
1	462
2	450
3	440
4	430
5	418
6	406
7	395

NET WGT  
334 LB  
151.5 Kg

53445  
XV372

NOG  
071515

INSPECTION  
&  
FINAL TEST  
N529!



LISTED 769G

Assembled in Mexico

ENCLOSURE TYPE 2 (IP30). RAINPROOF TYPE 3R ENCLOSURE (IP32) WHEN PROVIDED SHIELD 9T18Y4317G05

BEFORE HANDLING, INSTALLING AND OPERATING, SEE INSTRUCTION 475A667AAP001  
ALUMINUM CONDUCTOR PRIMARY: 10 KV BIL SECONDARY: 10 KV BIL

Outline: 303B401AAP072

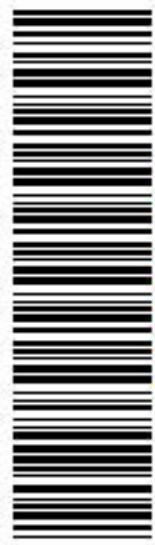
IN ACCORDANCE WITH NEC SECTION 450-9, ALLOW AT LEAST SIX INCHES  
CLEARANCE FOR VENTILATION. CHECK ADDITIONAL NEC AND LOCAL CODES.

H3 - H2 - H1 - -  
- X3 - X2 - X1

Note: H0 Terminal at the bottom

H3 - H2 - H1 -  
- X3 - X2 - X1  
H3 - H2 - H1 -  
- X3 - X2 - X1

H0



\*2M000000\*



\*3M000000\*