



Transformer



1M000000

Catalog Number

Type QL

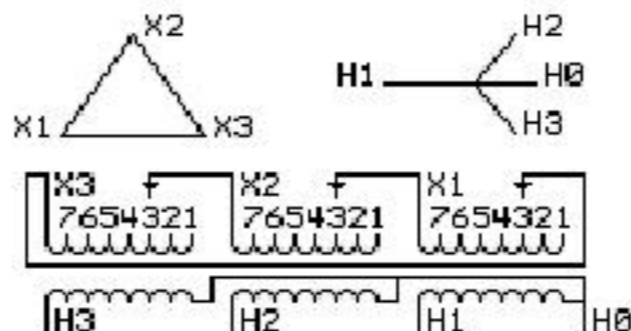
9Q3A045AYAD00A2T00

9T83B5193

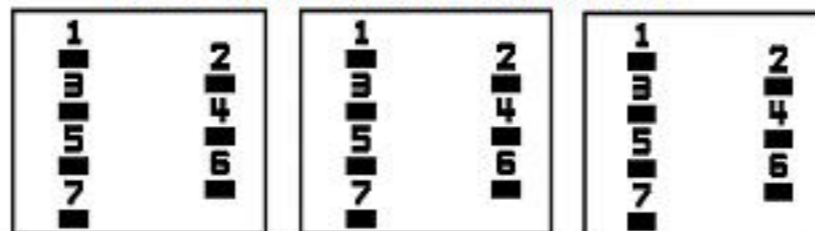
45.0 KVA 60 HZ 3 PH 6.1 % IMP

40 C AMB. 150 C RISE 220 C SYSTEM IS-19C

PRIMARY (X) 440 VOLTS (LINE-LINE)
SECONDARY (H) 480 VOLTS (LINE-LINE)
277 VOLTS (LINE-NEUTRAL)



COIL TAP ARRANGEMENT



JUMPER CONNECTION	
TAP	VOLTS
1	463
2	451
3	440
4	429
5	417
6	406
7	397

NET WGT
415 LB
188.2 Kg

53446
XV373

NOG
071515

INSPECTION
&
FINAL TEST
N529!



LISTED 769G

Assembled in Mexico

ENCLOSURE TYPE 2 (IP30). RAINPROOF TYPE 3R ENCLOSURE (IP32) WHEN PROVIDED SHIELD 9T18Y4317G05

BEFORE HANDLING, INSTALLING AND OPERATING, SEE INSTRUCTION 475A667AAP001
ALUMINUM CONDUCTOR PRIMARY: 10 KV BIL SECONDARY: 10 KV BIL

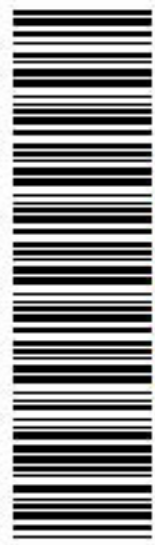
Outline: 303B401AAP073

IN ACCORDANCE WITH NEC SECTION 450-9, ALLOW AT LEAST SIX INCHES
CLEARANCE FOR VENTILATION. CHECK ADDITIONAL NEC AND LOCAL CODES.

H3 - H2 - H1 - -
- X3 - X2 - X1

Note: H0 Terminal at the bottom

H3 - H2 - H1 -
- X3 - X2 - X1
H3 - H2 - H1 -
- X3 - X2 - X1
H0



2M000000



3M000000