



Transformer



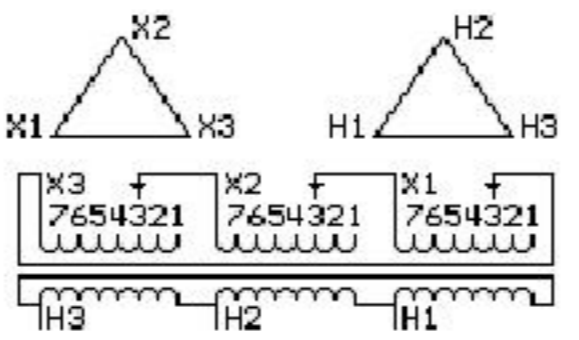
1M000000

Catalog Number **9Q5A075ADAN00A2T00** Type **QL**

9T83B5234

75.0 KVA 50/60 HZ 3 PH 5.5 % IMP

40 C AMB. 150 C RISE 220 C SYSTEM IS-19C



JUMPER CONNECTION	
TAP	VOLTS
1	400
2	388
3	380
4	372
5	360
6	352
7	344

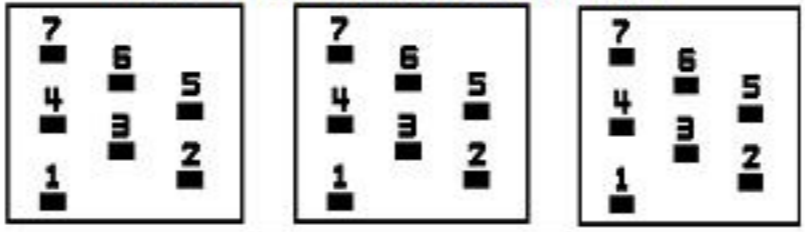
NET WGT
765 LB
347.0 Kg

55125
XV375
NOG
072115

INSPECTION
&
FINAL TEST
N530!

PRIMARY (X) 380 VOLTS (LINE-LINE)
SECONDARY (H) 460 VOLTS (LINE-LINE)

COIL TAP ARRANGEMENT



ENCLOSURE TYPE 2 (IP30). RAINPROOF TYPE 3R ENCLOSURE (IP32) WHEN PROVIDED SHIELD 9T18Y4317G06

Assembled in Mexico

BEFORE HANDLING, INSTALLING AND OPERATING, SEE INSTRUCTION 475A667AAP001 Outline: 303B401AAP075
ALUMINUM CONDUCTOR PRIMARY: 10 KV BIL SECONDARY: 10 KV BIL

H3 - H2 - H1 - -
- X3 - X2 - X1

IN ACCORDANCE WITH NEC SECTION 450-9, ALLOW AT LEAST SIX INCHES CLEARANCE FOR VENTILATION. CHECK ADDITIONAL NEC AND LOCAL CODES.

Note: Standard

H3 - H2 - H1 -
- X3 - X2 - X1

