



Transformer



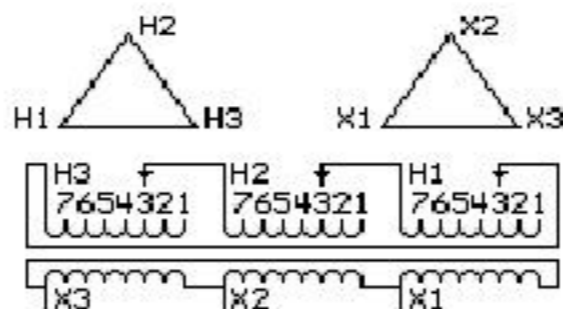
1M000000

Catalog Number **9Q3A030AHAP00A2T00** Type **QL**

9T83B5242

30.0 KVA 60 HZ 3 PH 6.4 % IMP

40 C AMB. 150 C RISE 220 C SYSTEM IS-19C



JUMPER CONNECTION	
TAP	VOLTS
1	604
2	589
3	575
4	560
5	547
6	531
7	518

NET WGT
334 LB
151.5 Kg

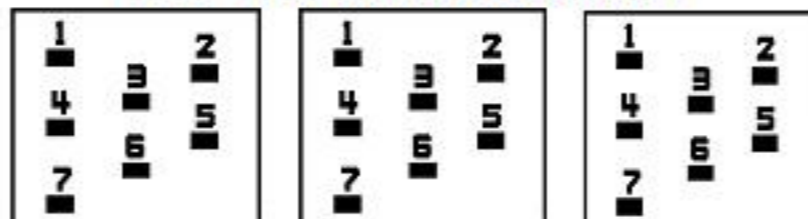
53448
XV372

NOG
071515

INSPECTION
&
FINAL TEST
N529!

PRIMARY (H) 575 VOLTS (LINE-LINE)
SECONDARY (X) 480 VOLTS (LINE-LINE)

COIL TAP ARRANGEMENT



LISTED 769G

ENCLOSURE TYPE 2 (IP30). RAINPROOF TYPE 3R ENCLOSURE (IP32) WHEN PROVIDED SHIELD 9T18Y4317G05

Assembled in Mexico

BEFORE HANDLING, INSTALLING AND OPERATING, SEE INSTRUCTION 475A667AAP001
ALUMINUM CONDUCTOR PRIMARY: 10 KV BIL SECONDARY: 10 KV BIL

Outline: 303B401AAP072

IN ACCORDANCE WITH NEC SECTION 450-9, ALLOW AT LEAST SIX INCHES
CLEARANCE FOR VENTILATION. CHECK ADDITIONAL NEC AND LOCAL CODES.

X3 - X2 - X1 - -
- H3 - H2 - H1

Note: Standard

X1 - -
X2 - - H2 - H1
X3 - - H3 - - H2 - H1



2M000000



3M000000