



Transformer



1M000000

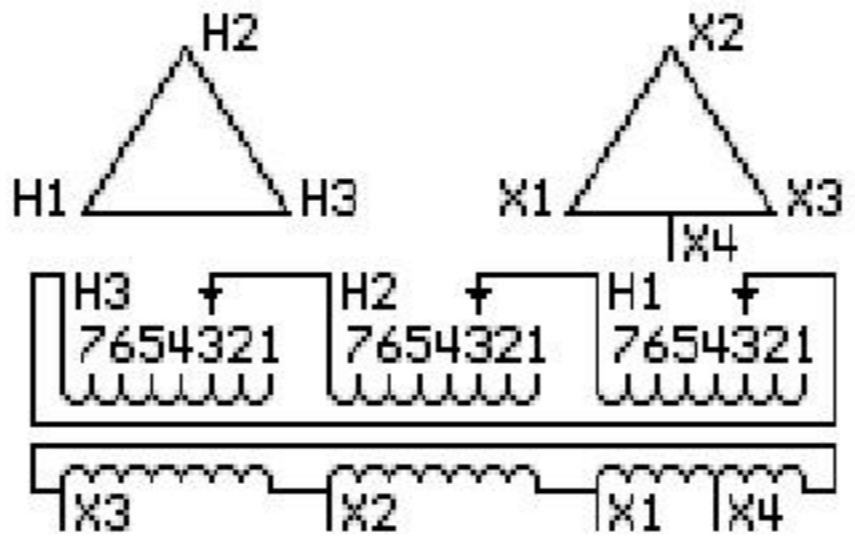
Catalog Number **9Q5A075ACAY00A2T00** Type **QL**

9T83B5334

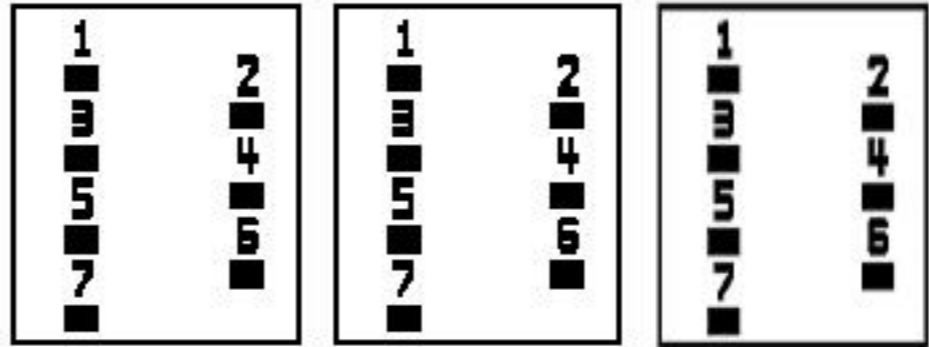
75.0 KVA 50/60 HZ 3 PH 7.6 % IMP

40 C AMB. 150 C RISE 220 C SYSTEM IS-19C

PRIMARY (H) 415 VOLTS (LINE-LINE)
SECONDARY (X) 220 VOLTS (LINE-LINE)
110 VOLTS (1 PH MDTAP)



COIL TAP ARRANGEMENT



JUMPER CONNECTION	
TAP	VOLTS
1	437
2	424
3	415
4	404
5	395
6	385
7	372

NET WGT
620 LB
281.2 Kg

55757
XU374
NOG
072915

INSPECTION
&
FINAL TEST
N531!



LISTED 769G

Assembled in Mexico

ENCLOSURE TYPE 2 (IP30). RAINPROOF TYPE 3R ENCLOSURE (IP32) WHEN PROVIDED SHIELD 9T18Y4317G06

REDUCED CAPACITY TAP RATED AT 5% OF 3 PH KVA

BEFORE HANDLING, INSTALLING AND OPERATING, SEE INSTRUCTION 475A667AAP001

Outline: 303B401AAP074

ALUMINUM CONDUCTOR

PRIMARY: 10 KV BIL

SECONDARY: 10 KV BIL

IN ACCORDANCE WITH NEC SECTION 450-9, ALLOW AT LEAST SIX INCHES CLEARANCE FOR VENTILATION. CHECK ADDITIONAL NEC AND LOCAL CODES.

X3 - X2 - X1 - X4

- H3 - H2 - H1

Note: Mid-Tap

X4

- X1 -

- X2 -

X3 -

- H1

- H2

- H3

X4

- X1 -

- X2 -

X3 -

- H1

- H2

- H3

