



Transformer



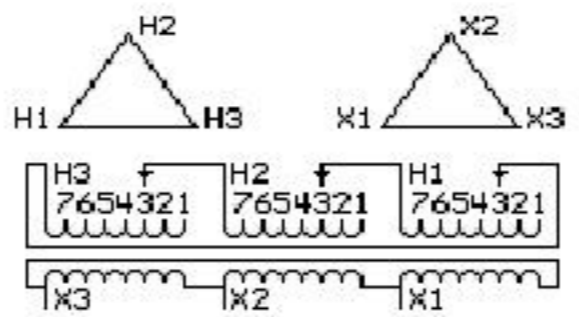
1M000000

Catalog Number **9Q3A030ADAB00A2T00** Type **QL**

9T83B5372

30.0 KVA 60 HZ 3 PH 6.5 % IMP

40 C AMB. 150 C RISE 220 C SYSTEM IS-19C



JUMPER CONNECTION	
TAP	VOLTS
1	400
2	389
3	380
4	371
5	360
6	351
7	342

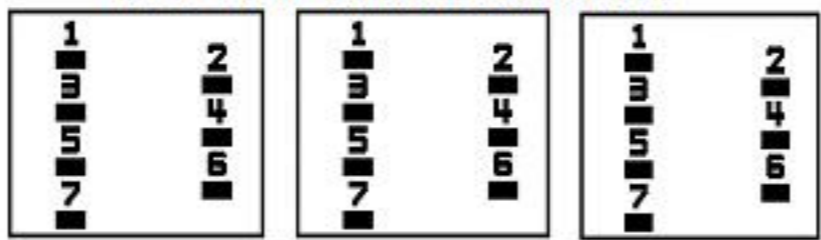
NET WGT
334 LB
151.5 Kg

53457
XV372
NOG
071515

INSPECTION & FINAL TEST N529!

PRIMARY (H) 380 VOLTS (LINE-LINE)
SECONDARY (X) 240 VOLTS (LINE-LINE)

COIL TAP ARRANGEMENT



ENCLOSURE TYPE 2 (IP30). RAINPROOF TYPE 3R ENCLOSURE (IP32) WHEN PROVIDED SHIELD 9T18Y4317G05

Assembled in Mexico

BEFORE HANDLING, INSTALLING AND OPERATING, SEE INSTRUCTION 475A667AAP001 Outline: 303B401AAP072
ALUMINUM CONDUCTOR PRIMARY: 10 KV BIL SECONDARY: 10 KV BIL

X3 - X2 - X1 - -
- H3 - H2 - H1

IN ACCORDANCE WITH NEC SECTION 450-9, ALLOW AT LEAST SIX INCHES CLEARANCE FOR VENTILATION. CHECK ADDITIONAL NEC AND LOCAL CODES.

Note: Standard

X1 -
X2 - H1
X3 - H2 - H1
X1 -
X2 - H1
X3 - H2 - H1

