



Transformer



1M000000

Catalog Number

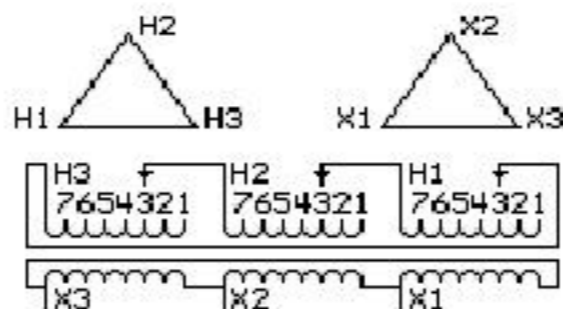
Type QL

9Q5A020AGAB00A2T00

9T83B5452G51

20.0 KVA 50/60 HZ 3 PH 6.7 % IMP

40 C AMB. 150 C RISE 220 C SYSTEM IS-19C



JUMPER CONNECTION	
TAP	VOLTS
1	629
2	615
3	600
4	585
5	571
6	555
7	540

NET WGT
334 LB
151.5 Kg

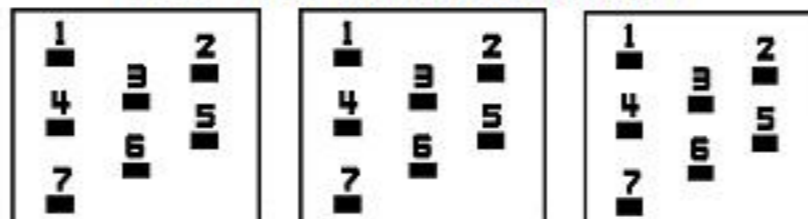
53458
XV372

NOG
071515

INSPECTION
&
FINAL TEST
N529!

PRIMARY (H) 600 VOLTS (LINE-LINE)
SECONDARY (X) 240 VOLTS (LINE-LINE)

COIL TAP ARRANGEMENT



ENCLOSURE TYPE 2 (IP30). RAINPROOF TYPE 3R ENCLOSURE (IP32) WHEN PROVIDED SHIELD 9T18Y4317G05

Assembled in Mexico

BEFORE HANDLING, INSTALLING AND OPERATING, SEE INSTRUCTION 475A667AAP001
ALUMINUM CONDUCTOR PRIMARY: 10 KV BIL SECONDARY: 10 KV BIL

Outline: 303B401AAP072

IN ACCORDANCE WITH NEC SECTION 450-9, ALLOW AT LEAST SIX INCHES
CLEARANCE FOR VENTILATION. CHECK ADDITIONAL NEC AND LOCAL CODES.

X3 - X2 - X1 - -
- H3 - H2 - H1

Note: Standard

X1 - -
X2 - - H2 - H1
X3 - - H3 - H2 - H1



2M000000



3M000000