



Transformer



1M000000

Catalog Number

Type QL

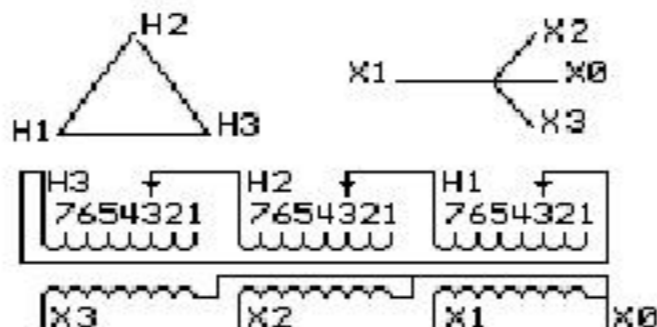
9Q3A037AMAA00A2T00

9T83B5483G51

37.5 KVA 60 HZ 3 PH 5.1 % IMP

40 C AMB. 150 C RISE 220 C SYSTEM IS-19C

Note: Design is based on 45.00KVA & 150C Rise 6.1% Imp.



| JUMPER CONNECTION | |
|-------------------|-------|
| TAP | VOLTS |
| 1 | 420 |
| 2 | 409 |
| 3 | 400 |
| 4 | 389 |
| 5 | 380 |
| 6 | 369 |
| 7 | 360 |

NET WGT
415 LB
188.2 Kg

53459
XV373

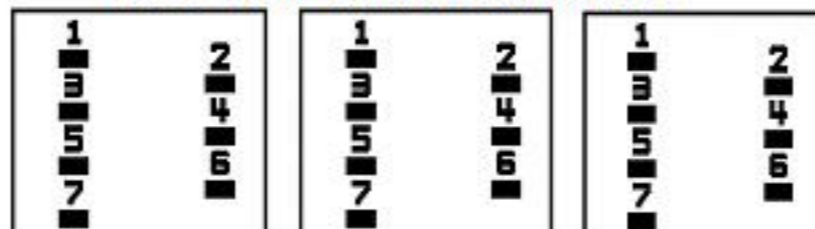
NOG

071515

INSPECTION
&
FINAL TEST
N529!

PRIMARY (H) 400 VOLTS (LINE-LINE)
 SECONDARY (X) 208 VOLTS (LINE-LINE)
 120 VOLTS (LINE-NEUTRAL)

COIL TAP ARRANGEMENT



LISTED 769G

ENCLOSURE TYPE 2 (IP30). RAINPROOF TYPE 3R ENCLOSURE (IP32) WHEN PROVIDED SHIELD 9T18Y4317G05

Assembled in Mexico

BEFORE HANDLING, INSTALLING AND OPERATING, SEE INSTRUCTION 475A667AAP001
ALUMINUM CONDUCTOR PRIMARY: 10 KV BIL SECONDARY: 10 KV BIL

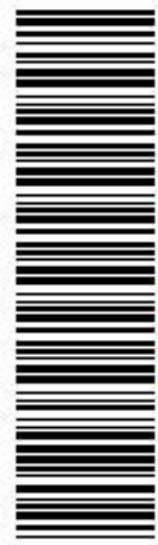
Outline: 303B401AAP073

IN ACCORDANCE WITH NEC SECTION 450-9, ALLOW AT LEAST SIX INCHES CLEARANCE FOR VENTILATION. CHECK ADDITIONAL NEC AND LOCAL CODES.

X3 - X2 - X1 - -
 - H3 - H2 - H1

Note: X0 Terminal at the bottom

X1 - -
 X2 - -
 H3 - H2 - H1
 X3 - X2 - X1 -
 H3 - H2 - H1
 X0



2M000000



3M000000