



# Transformer



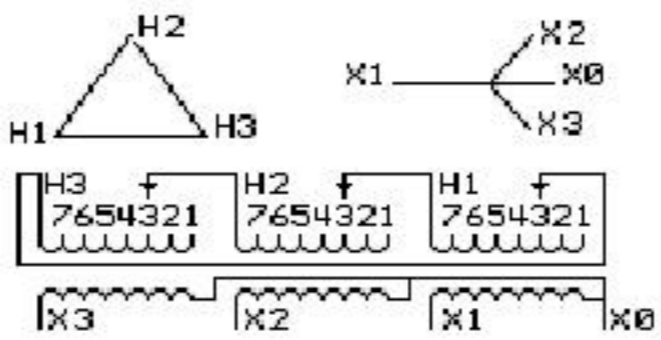
\*1M000000\*

Catalog Number **9Q3A015AMAA00A2T00** Type **QL**

**9T83B5491**

**15.0 KVA 60 HZ 3 PH 6.5 % IMP**

40 C AMB. 150 C RISE 220 C SYSTEM IS-19C



JUMPER CONNECTION	
TAP	VOLTS
1	419
2	410
3	400
4	390
5	381
6	371
7	362

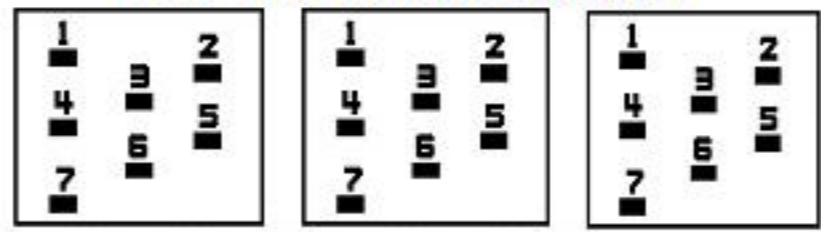
NET WGT  
240 LB  
108.9 Kg

54512  
XV371  
NOG  
071615

INSPECTION  
&  
FINAL TEST  
N529!

PRIMARY (H) 400 VOLTS (LINE-LINE)  
 SECONDARY (X) 208 VOLTS (LINE-LINE)  
 120 VOLTS (LINE-NEUTRAL)

### COIL TAP ARRANGEMENT



ENCLOSURE TYPE 2 (IP30). RAINPROOF TYPE 3R ENCLOSURE (IP32) WHEN PROVIDED SHIELD 9T18Y4317G11

BEFORE HANDLING, INSTALLING AND OPERATING, SEE INSTRUCTION 475A667AAP001 Outline: 303B401AAP071  
ALUMINUM CONDUCTOR PRIMARY: 10 KV BIL SECONDARY: 10 KV BIL

IN ACCORDANCE WITH NEC SECTION 450-9, ALLOW AT LEAST SIX INCHES CLEARANCE FOR VENTILATION. CHECK ADDITIONAL NEC AND LOCAL CODES.

Assembled in Mexico

X3 - X2 - X1 - X0  
 - H3 - H2 - H1

Note: Standard

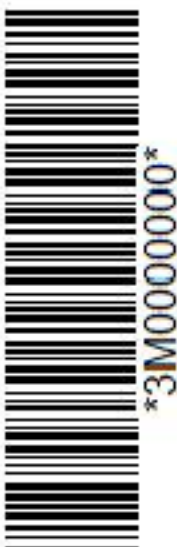
X0  
-  
X1  
-  
X2  
-  
X3



\*2M000000\*

H3 - H2 - H1

X0  
-  
X1  
-  
X2  
-  
X3



\*3M000000\*

H3 - H2 - H1