



# Transformer



\*1M000000\*

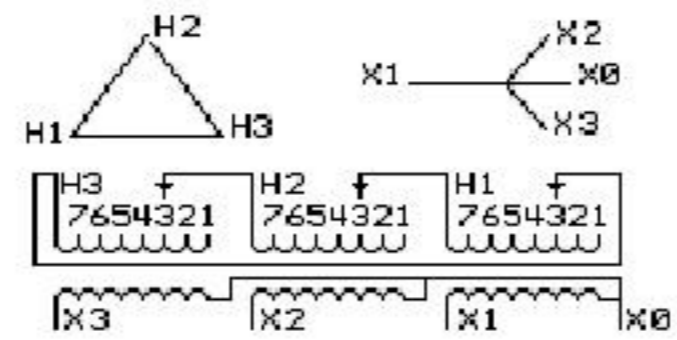
**Catalog Number**  
9Q3A025AMAA00A2T00  
9T83B5492G51

**Type** QL

**25.0 KVA 60 HZ 3 PH 5 % IMP**

40 C AMB. 150 C RISE 220 C SYSTEM IS-19C

Note: Design is based on 30.00KVA & 150C Rise 6.1% Imp.



JUMPER CONNECTION	
TAP	VOLTS
1	419
2	410
3	400
4	390
5	381
6	369
7	360

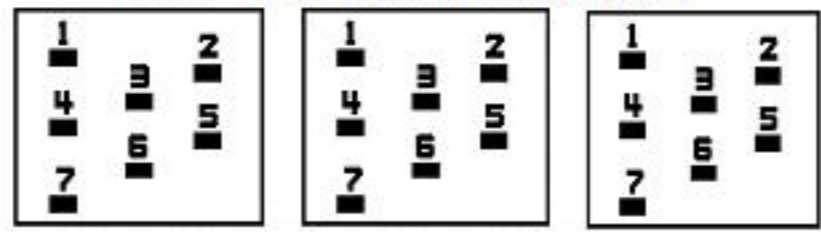
**NET WGT**  
334 LB  
151.5 Kg

53461  
XV372  
NOG  
071515

INSPECTION  
&  
FINAL TEST  
N529!

PRIMARY (H) 400 VOLTS (LINE-LINE)  
 SECONDARY (X) 208 VOLTS (LINE-LINE)  
 120 VOLTS (LINE-NEUTRAL)

### COIL TAP ARRANGEMENT



ENCLOSURE TYPE 2 (IP30). RAINPROOF TYPE 3R ENCLOSURE (IP32) WHEN PROVIDED SHIELD 9T18Y4317G05

Assembled in Mexico

BEFORE HANDLING, INSTALLING AND OPERATING, SEE INSTRUCTION 475A667AAP001 Outline: 303B401AAP072  
ALUMINUM CONDUCTOR PRIMARY: 10 KV BIL SECONDARY: 10 KV BIL

X3 - X2 - X1 - -  
 - H3 - H2 - H1

**IN ACCORDANCE WITH NEC SECTION 450-9, ALLOW AT LEAST SIX INCHES CLEARANCE FOR VENTILATION. CHECK ADDITIONAL NEC AND LOCAL CODES.**

Note: X0 Terminal at the bottom

X3 - X2 - X1 -  
 - H3 - H2 - H1  
 X3 - X2 - X1 -  
 - H3 - H2 - H1  
 X0

