



# Transformer



\*1M000000\*

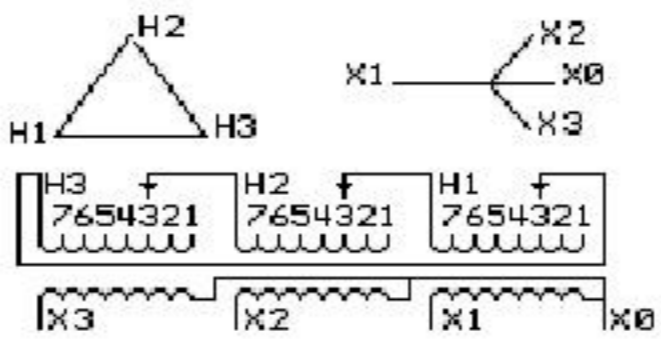
Catalog Number **9Q3A112AMAA00A2T00** Type **QL**

**9T83B5495**

**112.5 KVA 60 HZ 3 PH 6.4 % IMP**

40 C AMB. 150 C RISE 220 C SYSTEM IS-19C

PRIMARY (H) 400 VOLTS (LINE-LINE)  
SECONDARY (X) 208 VOLTS (LINE-LINE)  
120 VOLTS (LINE-NEUTRAL)



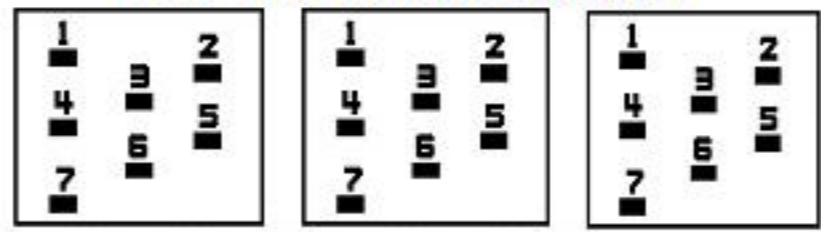
JUMPER CONNECTION	
TAP	VOLTS
1	418
2	408
3	400
4	389
5	379
6	370
7	360

NET WGT  
765 LB  
347.0 Kg

55128  
XV375  
NOG  
072115

INSPECTION & FINAL TEST N530!

### COIL TAP ARRANGEMENT



LISTED 769G

Assembled in Mexico

ENCLOSURE TYPE 2 (IP30). RAINPROOF TYPE 3R ENCLOSURE (IP32) WHEN PROVIDED SHIELD 9T18Y4317G06

BEFORE HANDLING, INSTALLING AND OPERATING, SEE INSTRUCTION 475A667AAP001 Outline: 303B401AAP075  
ALUMINUM CONDUCTOR PRIMARY: 10 KV BIL SECONDARY: 10 KV BIL

IN ACCORDANCE WITH NEC SECTION 450-9, ALLOW AT LEAST SIX INCHES CLEARANCE FOR VENTILATION. CHECK ADDITIONAL NEC AND LOCAL CODES.

X3 - X2 - X1 - -  
- H3 - H2 - H1

Note: X0 Terminal at the bottom

X1 - -  
X2 - - H1  
X3 - H2 - H1  
X1 - -  
X2 - - H1  
X3 - H2 - H1  
X0

