



Transformer



1M000000

Catalog Number

Type QL

9Q3A100AYAB00A2T00

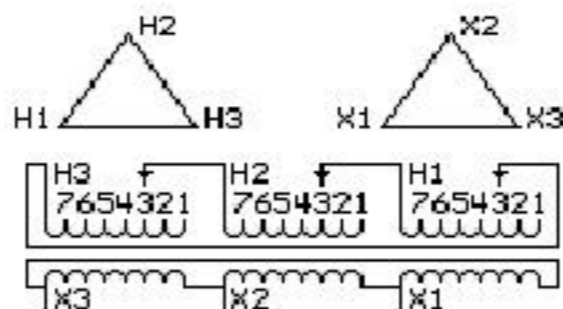
9T83B5525G51

100.0 KVA 60 HZ 3 PH 6 % IMP

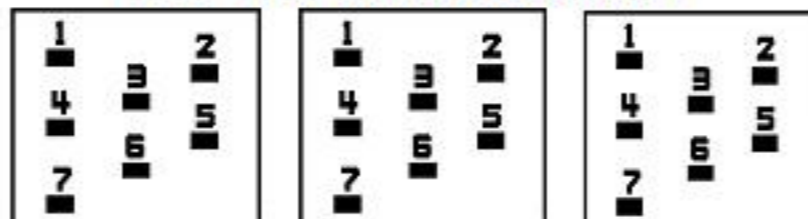
40 C AMB. 150 C RISE 220 C SYSTEM IS-19C

PRIMARY (H) 440 VOLTS (LINE-LINE)

SECONDARY (X) 240 VOLTS (LINE-LINE)



COIL TAP ARRANGEMENT



JUMPER CONNECTION	
TAP	VOLTS
1	461
2	451
3	440
4	427
5	418
6	408
7	394

NET WGT
765 LB
347.0 Kg

55129
XV375
NOG
072115

INSPECTION
&
FINAL TEST
N530!



LISTED 769G

Assembled in Mexico

ENCLOSURE TYPE 2 (IP30). RAINPROOF TYPE 3R ENCLOSURE (IP32) WHEN PROVIDED SHIELD 9T18Y4317G06

BEFORE HANDLING, INSTALLING AND OPERATING, SEE INSTRUCTION 475A667AAP001
ALUMINUM CONDUCTOR PRIMARY: 10 KV BIL SECONDARY: 10 KV BIL

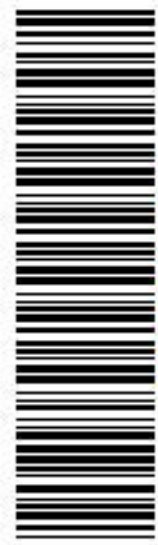
Outline: 303B401AAP075

IN ACCORDANCE WITH NEC SECTION 450-9, ALLOW AT LEAST SIX INCHES CLEARANCE FOR VENTILATION. CHECK ADDITIONAL NEC AND LOCAL CODES.

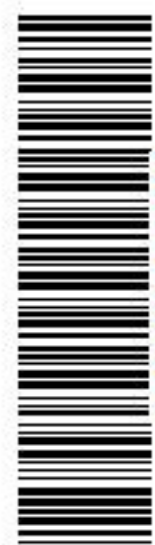
X3 - X2 - X1 - -
- H3 - H2 - H1

Note: Standard

X1 - -
X2 - - H2 - H1
X3 - - H3 - H2 - H1



2M000000



3M000000