



Transformer



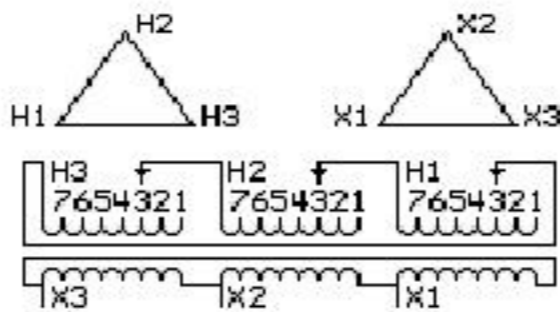
1M000000

Catalog Number **9Q3A045AAAK00A2T00** Type **QL**

9T83B5543

45.0 KVA 60 HZ 3 PH 6 % IMP

40 C AMB. 150 C RISE 220 C SYSTEM IS-19C



JUMPER CONNECTION	
TAP	VOLTS
1	504
2	493
3	480
4	467
5	455
6	443
7	432

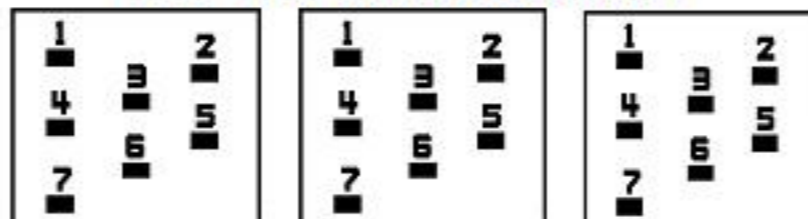
NET WGT
415 LB
188.2 Kg

53465
XV373
NOG
071515

INSPECTION
&
FINAL TEST
N529!

PRIMARY (H) 480 VOLTS (LINE-LINE)
SECONDARY (X) 400 VOLTS (LINE-LINE)

COIL TAP ARRANGEMENT



ENCLOSURE TYPE 2 (IP30). RAINPROOF TYPE 3R ENCLOSURE (IP32) WHEN PROVIDED SHIELD 9T18Y4317G05

Assembled in Mexico

BEFORE HANDLING, INSTALLING AND OPERATING, SEE INSTRUCTION 475A667AAP001
ALUMINUM CONDUCTOR PRIMARY: 10 KV BIL SECONDARY: 10 KV BIL

Outline: 303B401AAP073

IN ACCORDANCE WITH NEC SECTION 450-9, ALLOW AT LEAST SIX INCHES
CLEARANCE FOR VENTILATION. CHECK ADDITIONAL NEC AND LOCAL CODES.

X3 - X2 - X1 - -
- H3 - H2 - H1

Note: Standard

X1 -
X1 -
X2 - H2 - H1
X2 -
X3 - H3 - H2 - H1



2M000000



3M000000