



Transformer



1M000000

Catalog Number

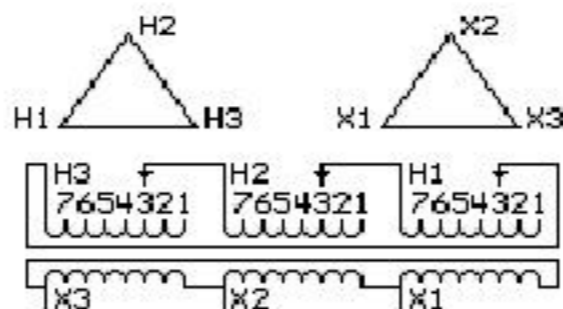
Type QL

9Q3A015AAAF00A2T00

9T83B5571

15.0 KVA 60 HZ 3 PH 6.6 % IMP

40 C AMB. 150 C RISE 220 C SYSTEM IS-19C



| JUMPER CONNECTION | |
|-------------------|-------|
| TAP | VOLTS |
| 1 | 503 |
| 2 | 492 |
| 3 | 480 |
| 4 | 468 |
| 5 | 457 |
| 6 | 446 |
| 7 | 433 |

NET WGT
240 LB
108.9 Kg

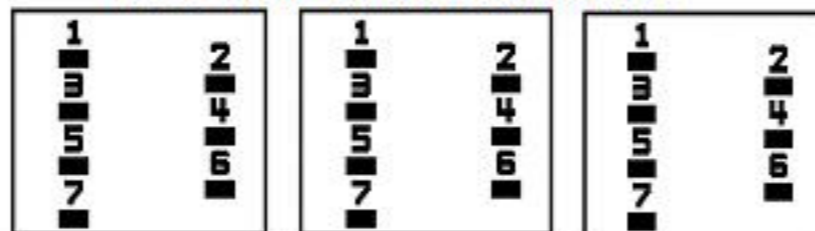
54515
XV371

NOG
071615

INSPECTION
&
FINAL TEST
N529!

PRIMARY (H) 480 VOLTS (LINE-LINE)
SECONDARY (X) 230 VOLTS (LINE-LINE)

COIL TAP ARRANGEMENT



LISTED 769G

ENCLOSURE TYPE 2 (IP30). RAINPROOF TYPE 3R ENCLOSURE (IP32) WHEN PROVIDED SHIELD 9T18Y4317G11

Assembled in Mexico

BEFORE HANDLING, INSTALLING AND OPERATING, SEE INSTRUCTION 475A667AAP001
ALUMINUM CONDUCTOR PRIMARY: 10 KV BIL SECONDARY: 10 KV BIL

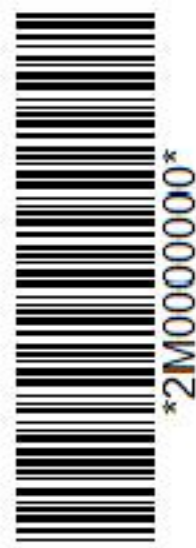
Outline: 303B401AAP071

IN ACCORDANCE WITH NEC SECTION 450-9, ALLOW AT LEAST SIX INCHES
CLEARANCE FOR VENTILATION. CHECK ADDITIONAL NEC AND LOCAL CODES.

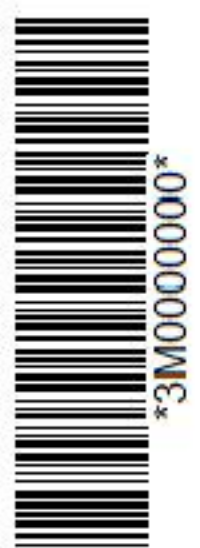
X3 - X2 - X1 - -
- H3 - H2 - H1

Note: Standard

X1 -
X2 - H1
X3 - H2 - H1



2M000000



3M000000