



Transformer



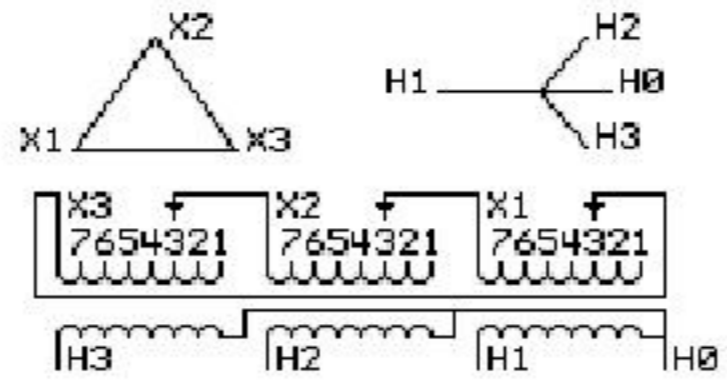
1M0000000

Catalog Number **9Q3A150AZBQ00A2T00** Type QL
9T83B5606

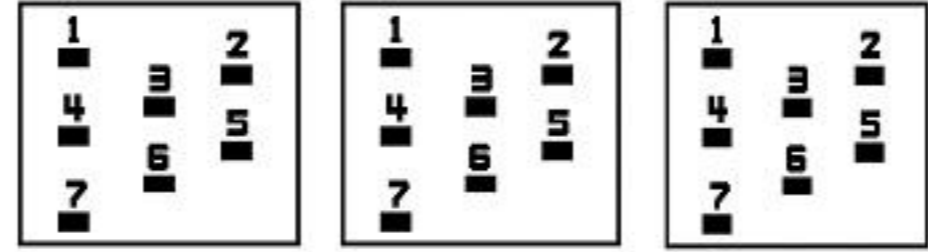
150.0 KVA 60 HZ 3 PH 7.9 % IMP

40 C AMB. 150 C RISE 220 C SYSTEM IS-19C

PRIMARY (X) 220 VOLTS (LINE-LINE)
SECONDARY (H) 440 VOLTS (LINE-LINE)
254 VOLTS (LINE-NEUTRAL)



COIL TAP ARRANGEMENT



JUMPER CONNECTION TAP	VOLTS
1	230
2	225
3	220
4	215
5	210
6	205
7	200

NET WGT
1070 LB
485.4 Kg

58433
XU376
NOG
120115

INSPECTION & FINAL TEST N549!



ENCLOSURE TYPE 2 (IP30). RAINPROOF TYPE 3R ENCLOSURE (IP32) WHEN PROVIDED SHIELD 9T18Y4317G07

Assembled in Mexico

BEFORE HANDLING, INSTALLING AND OPERATING, SEE INSTRUCTION 475A667AAP001 Outline: 303B401AAP076
ALUMINUM CONDUCTOR PRIMARY: 10 KV BIL SECONDARY: 10 KV BIL

H3 - H2 - H1 - -
- X3 - X2 - X1

IN ACCORDANCE WITH NEC SECTION 450-9, ALLOW AT LEAST SIX INCHES CLEARANCE FOR VENTILATION. CHECK ADDITIONAL NEC AND LOCAL CODES.

Note: H0 Terminal at the bottom



2M0000000



3M0000000

H3 - H2 - H1 - -
- X3 - X2 - X1
H3 - H2 - H1 - -
- X3 - X2 - X1
H0