



Transformer



1M000000

Catalog Number

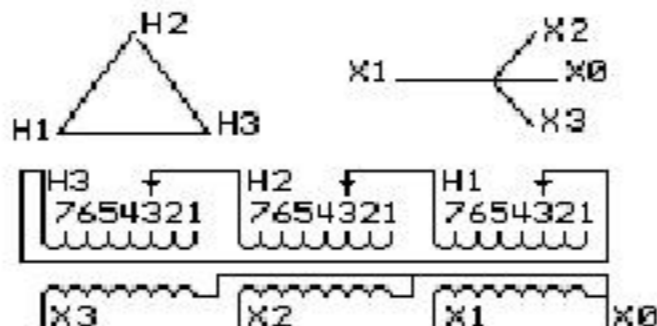
Type QL

9Q3A030ABBB00A2T00

9T83B5612

30.0 KVA 60 HZ 3 PH 6.6 % IMP

40 C AMB. 150 C RISE 220 C SYSTEM IS-19C



JUMPER CONNECTION

TAP VOLTS

1	482
2	471
3	460
4	449
5	436
6	425
7	414

NET WGT

334 LB
151.5 Kg

53475

XV372

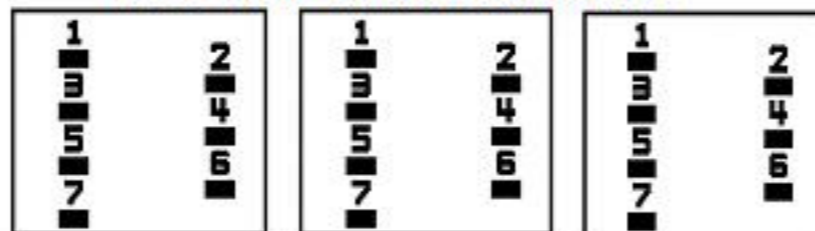
NOG

071515

INSPECTION & FINAL TEST N529!

PRIMARY (H) 460 VOLTS (LINE-LINE)
 SECONDARY (X) 230 VOLTS (LINE-LINE)
 133 VOLTS (LINE-NEUTRAL)

COIL TAP ARRANGEMENT



LISTED 769G

ENCLOSURE TYPE 2 (IP30). RAINPROOF TYPE 3R ENCLOSURE (IP32) WHEN PROVIDED SHIELD 9T18Y4317G05

Assembled in Mexico

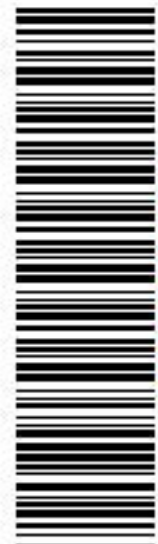
BEFORE HANDLING, INSTALLING AND OPERATING, SEE INSTRUCTION 475A667AAP001
ALUMINUM CONDUCTOR PRIMARY: 10 KV BIL SECONDARY: 10 KV BIL

Outline: 303B401AAP072

IN ACCORDANCE WITH NEC SECTION 450-9, ALLOW AT LEAST SIX INCHES CLEARANCE FOR VENTILATION. CHECK ADDITIONAL NEC AND LOCAL CODES.

X3 - X2 - X1 - -
 - H3 - H2 - H1

Note: X0 Terminal at the bottom



2M000000



3M000000

X1 - -
 X2 - -
 H3 - H2 - H1
 X3 - X2 - X1 -
 H3 - H2 - H1
 X0