



Transformer

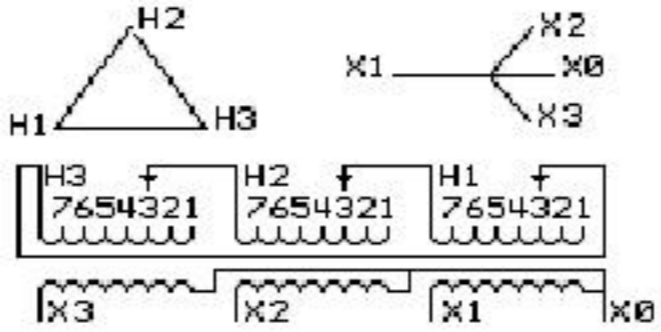


1M000000

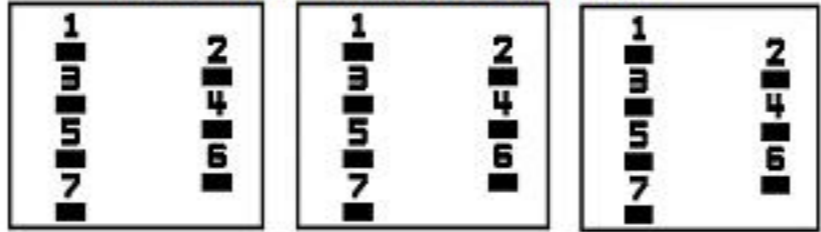
Catalog Number **Type** QL
9Q3A050ABBB00A2T00
9T83B5613G51

50.0 KVA **60 HZ** **3 PH 8 % IMP**
 40 C AMB. 150 C RISE 220 C SYSTEM IS-19C

PRIMARY (H) 460 VOLTS (LINE-LINE)
SECONDARY (X) 230 VOLTS (LINE-LINE)
 133 VOLTS (LINE-NEUTRAL)



COIL TAP ARRANGEMENT



JUMPER CONNECTION	
TAP	VOLTS
1	484
2	470
3	460
4	448
5	437
6	426
7	415

NET WGT
 415 LB
 188.2 Kg

 53476
 XV373
 NOG
 071515

INSPECTION
 &
 FINAL TEST
 N529!



LISTED 769G

Assembled in Mexico

ENCLOSURE TYPE 2 (IP30). RAINPROOF TYPE 3R ENCLOSURE (IP32) WHEN PROVIDED SHIELD 9T18Y4317G05

BEFORE HANDLING, INSTALLING AND OPERATING, SEE INSTRUCTION 475A667AAP001 Outline: 303B401AAP073
 ALUMINUM CONDUCTOR PRIMARY: 10 KV BIL SECONDARY: 10 KV BIL

IN ACCORDANCE WITH NEC SECTION 450-9, ALLOW AT LEAST SIX INCHES CLEARANCE FOR VENTILATION. CHECK ADDITIONAL NEC AND LOCAL CODES.

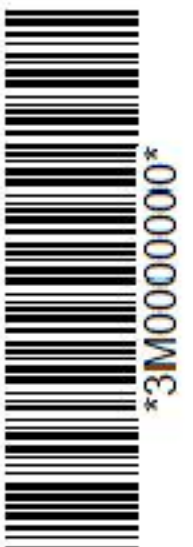
X3 - X2 - X1 - -
 - H3 - H2 - H1

Note: X0 Terminal at the bottom

X1 - -
 X2 - - H1
 H3 - H2 - H1
 X3 - X2 - X1 -
 H3 - H2 - H1
 X0



2M000000



3M000000