



Transformer



1M000000

Catalog Number

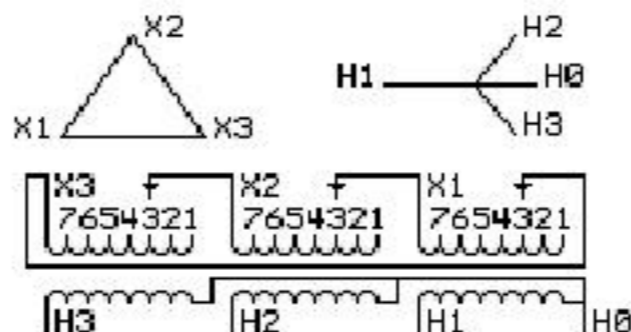
Type QL

9Q3A030AFBR00A2T00

9T83B5722

30.0 KVA 60 HZ 3 PH 7.2 % IMP

40 C AMB. 150 C RISE 220 C SYSTEM IS-19C



JUMPER CONNECTION	
TAP	VOLTS
1	219
2	213
3	208
4	202
5	198
6	193
7	187

NET WGT
334 LB
151.5 Kg

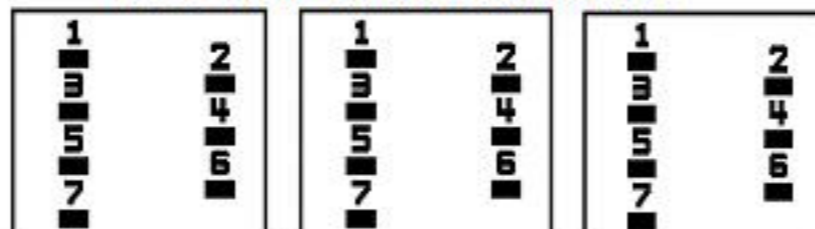
53481
XV372

NOG
071515

INSPECTION
&
FINAL TEST
N529!

PRIMARY (X) 208 VOLTS (LINE-LINE)
 SECONDARY (H) 460 VOLTS (LINE-LINE)
 265 VOLTS (LINE-NEUTRAL)

COIL TAP ARRANGEMENT



LISTED 769G

ENCLOSURE TYPE 2 (IP30). RAINPROOF TYPE 3R ENCLOSURE (IP32) WHEN PROVIDED SHIELD 9T18Y4317G05

Assembled in Mexico

BEFORE HANDLING, INSTALLING AND OPERATING, SEE INSTRUCTION 475A667AAP001
ALUMINUM CONDUCTOR PRIMARY: 10 KV BIL SECONDARY: 10 KV BIL

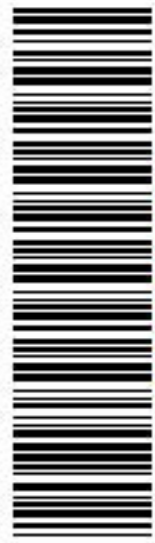
Outline: 303B401AAP072

IN ACCORDANCE WITH NEC SECTION 450-9, ALLOW AT LEAST SIX INCHES CLEARANCE FOR VENTILATION. CHECK ADDITIONAL NEC AND LOCAL CODES.

H3 - H2 - H1 - -
 - X3 - X2 - X1

Note: H0 Terminal at the bottom

H3 - H2 - H1 -
 - X3 - X2 - X1
 H3 - H2 - H1 -
 - X3 - X2 - X1
 H0



2M000000



3M000000